

1.00mm .039" Center FPC/ FFC Connector



F101501 Series

■ FPC/ FFC

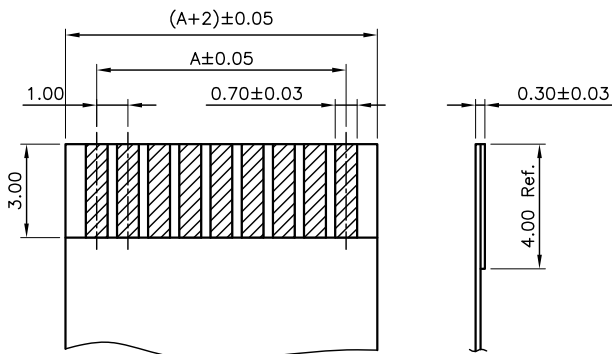
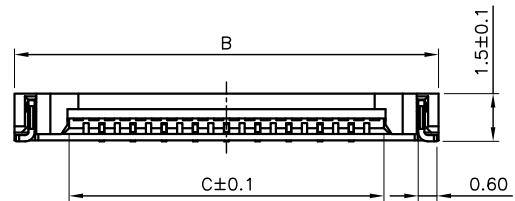
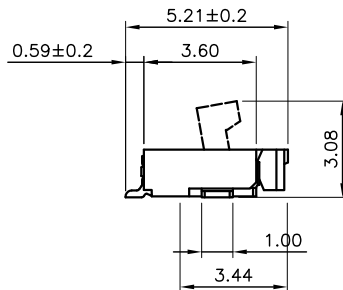
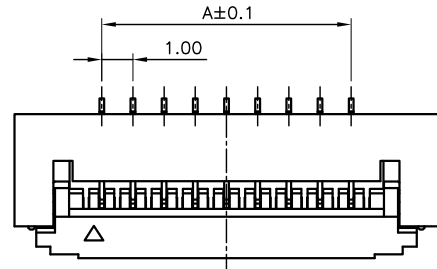
• Part No.: F101501-xxP

Specifications

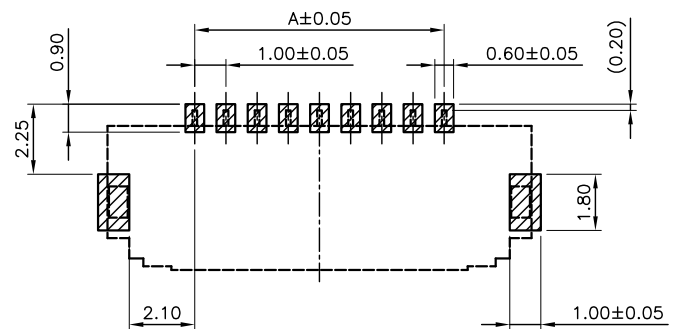
- Electrical
- Voltage Rating: 50V AC/ DC
- Current Rating: 0.5A
- Temperature Range: -25~+85°C

Material

- Housing: Thermal Plastic, UL 94V-0
- Cover: Thermal Plastic, UL 94V-0
- Terminal: Copper Alloy, Tin plated
- Fitting: Copper Alloy, Tin plated



APPLICABLE FPC/ FFC



PCB PATTREN LAYOUT

Ordering Information and Dimensions

CIRCUITS	PART NO.	DIMENSION		
		A	B	C
4	F101501-04P	3.00	8.60	5.10
5	F101501-05P	4.00	9.60	6.10
6	F101501-06P	5.00	10.60	7.10
7	F101501-07P	6.00	11.60	8.10
8	F101501-08P	7.00	12.60	9.10
9	F101501-09P	8.00	13.60	10.10
10	F101501-10P	9.00	14.60	11.10
11	F101501-11P	10.00	15.60	12.10

CIRCUITS	PART NO.	DIMENSION		
		A	B	C
12	F101501-12P	11.00	16.60	13.10
13	F101501-13P	12.00	17.60	14.10
14	F101501-14P	13.00	18.60	15.10
15	F101501-15P	14.00	19.60	16.10
16	F101501-16P	15.00	20.60	17.10
17	F101501-17P	16.00	21.60	18.10
18	F101501-18P	17.00	22.60	19.10
19	F101501-19P	18.00	23.60	20.10