

0.30mm .012" Center FPC/ FFC Connector



F0312 Series

■ FPC/ FFC

Part No.: F0312-xxP-G-HF

Specifications

Electrical

Voltage Rating: 50V AC/ DC

Current Rating: 0.2A

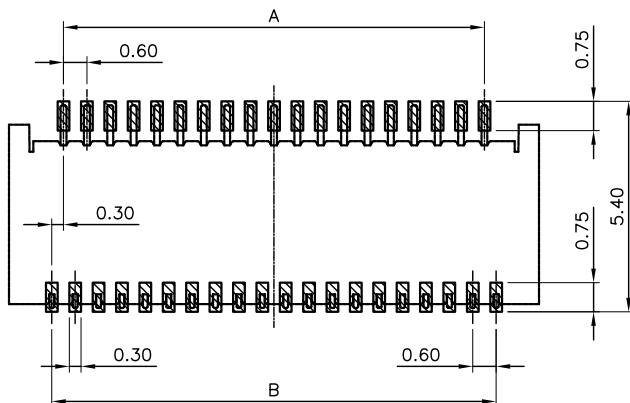
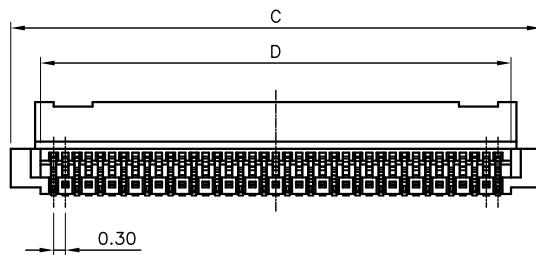
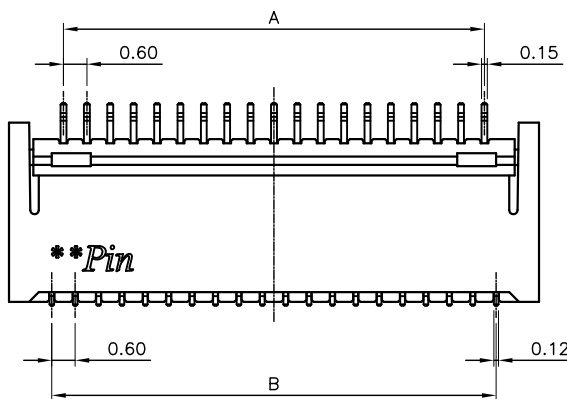
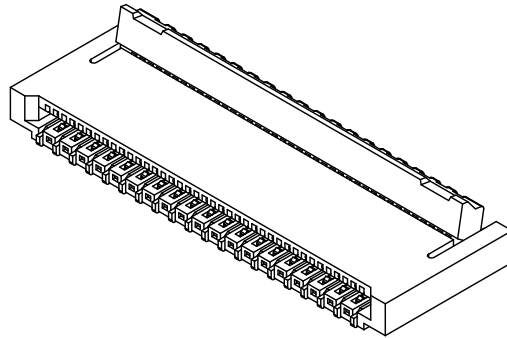
Temperature Range: -25~+85°C

Material

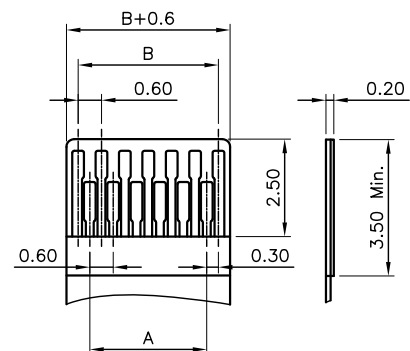
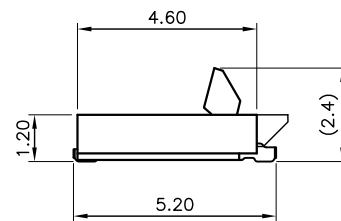
Housing: Thermal Plastic, UL 94V-0

Cover: Thermal Plastic, UL 94V-0

Terminal: Copper Alloy, Gold plated



PCB PATTREN LAYOUT



APPLICABLE FPC/ FFC

Ordering Information and Dimensions

CIRCUITS	PART NO.	DIMENSION			
		A	B	C	D
39	F0312-39P-G-HF	10.80	11.40	13.60	12.07