

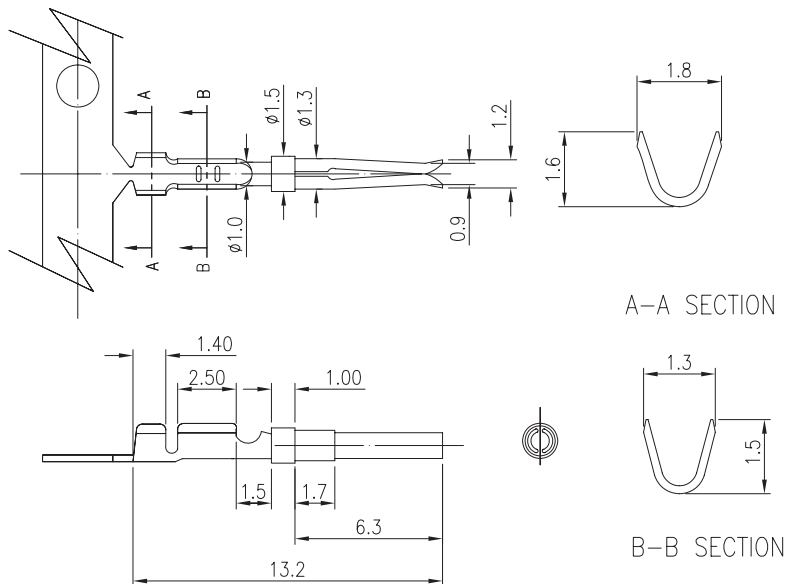
# D-Sub 0.76mm Wire to Wire Connector



## 6076 Series

### ■ TERMINAL

- Part No.: 6076-G
- Material: Phos. Bronze
- Thickness: 0.2mm
- Plating: Gold
- Wire Range: Suitable for AWG#26~28
- Insulation O.D.: 1.45mm (max)
- Q'TY: 10,000 pcs/reel
- Accepts housing : 6076-H



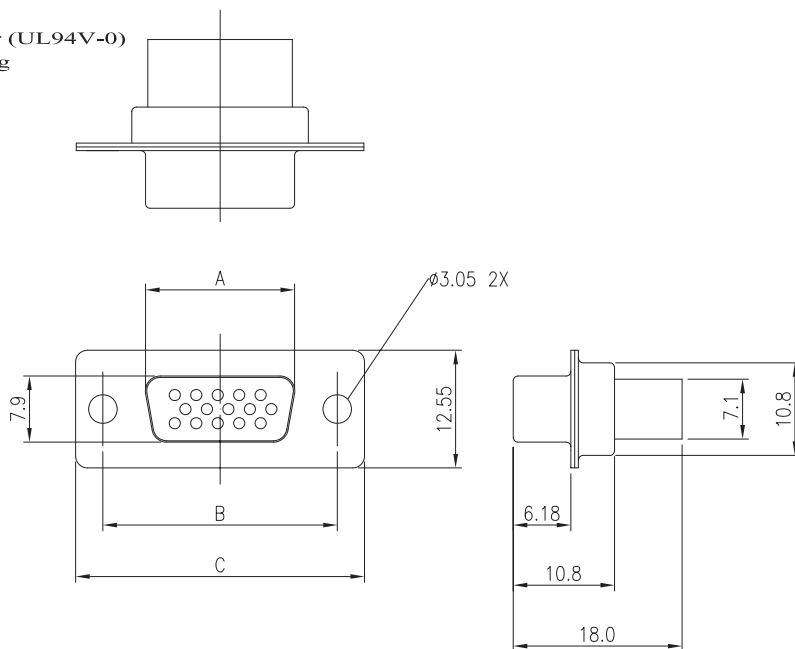
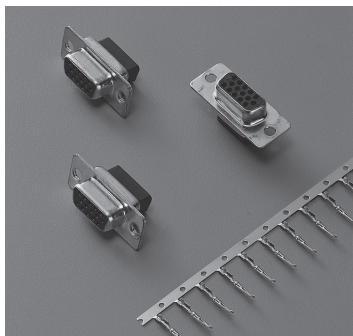
### Ordering Information

Part No.	Wire Range	Insulation O.D.	Material	Finish	Q'ty/reel
6076 - G	AWG #26~#28	1.45mm (max)	Phos. Bronze	Gold Plated	10,000 pcs

## 6076 Series

### ■ HOUSING

- Part No.: 6076-H
- Material: PBT & 30%Glass Fiber (UL94V-0)
- D-Sub high density crimp housing
- Poles: 15, 26, 44, 62
- Accepts terminals : 6076-G



### Ordering Information and Dimensions

CIRCUITS	PART NO.	DIMENSION		
		A	B	C
15	6076-H-15P	16.34	24.99	30.81
26	6076-H-26P	24.67	33.32	39.14
44	6076-H-44P	38.38	47.04	53.04
62	6076-H-62P	54.84	63.50	69.32