

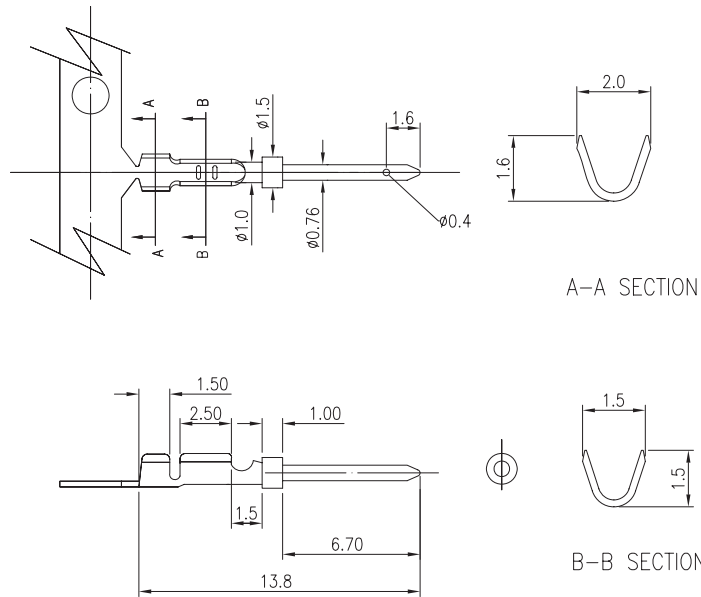
D-Sub 0.76mm Wire to Wire Connector



6075 Series

■ TERMINAL

- Part No.: 6075-G
- Material: Brass
- Thickness: 0.2mm
- Plating: Gold
- Wire Range: Suitable for AWG#26~28
- Insulation O.D: 1.45mm (max)
- Q'TY: 10,000 pcs/reel
- Accepts housing : 6075-H



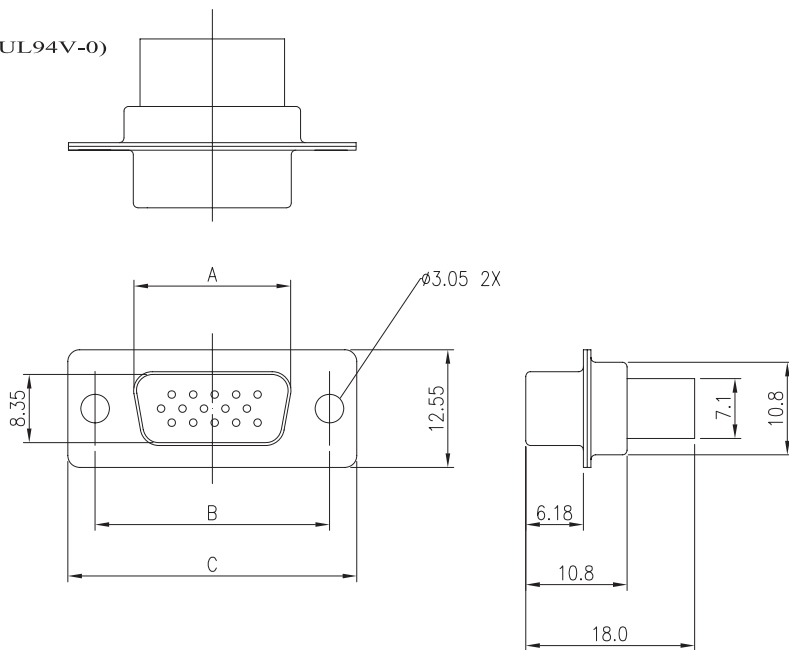
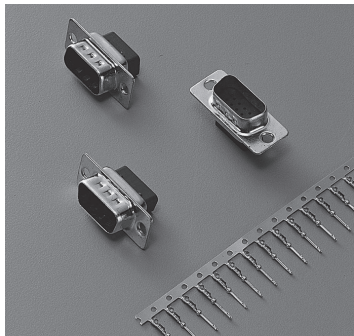
Ordering Information

Part No.	Wire Range	Insulation O.D.	Material	Finish	Q'ty/reel
6075 - G	AWG #26~#28	1.45mm (max)	Brass	Gold Plated	10,000 pcs

6075 Series

■ HOUSING

- Part No.: 6075-H
- Material: PBT & 30%Glass Fiber (UL94V-0)
- D-Sub high density crimp housing
- Poles: 15, 26, 44, 62
- Accepts terminals : 6075-G



Ordering Information and Dimensions

CIRCUITS	PART NO.	DIMENSION		
		A	B	C
15	6075-H-15P	16.92	24.99	30.81
26	6075-H-26P	25.25	33.32	39.14
44	6075-H-44P	38.97	47.04	53.04
62	6075-H-62P	55.43	63.50	69.32