

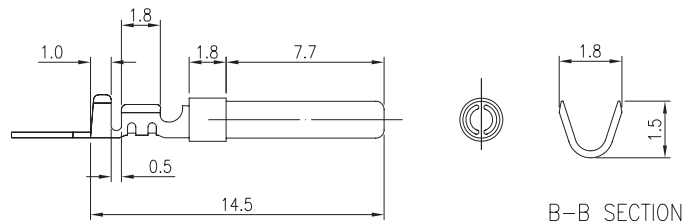
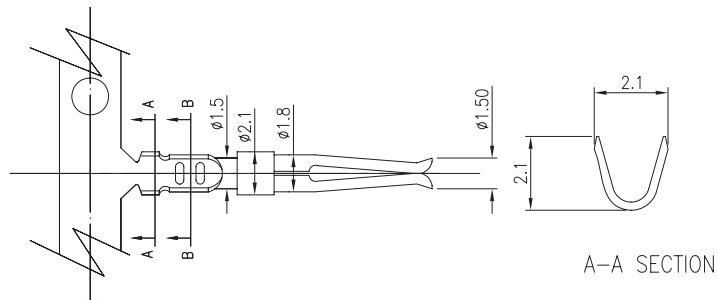
D-Sub 1.0mm Wire to Wire Connector



6036 Series

■ TERMINAL

- Part No.: 6036-G
- Material: Phos. Bronze
- Thickness: 0.2mm
- Plating: Gold
- Wire Range: Suitable for AWG#24~26
- Insulation O.D: 1.45mm (max)
- Q'TY: 10,000 pcs/reel
- Accepts housing : 6036-H



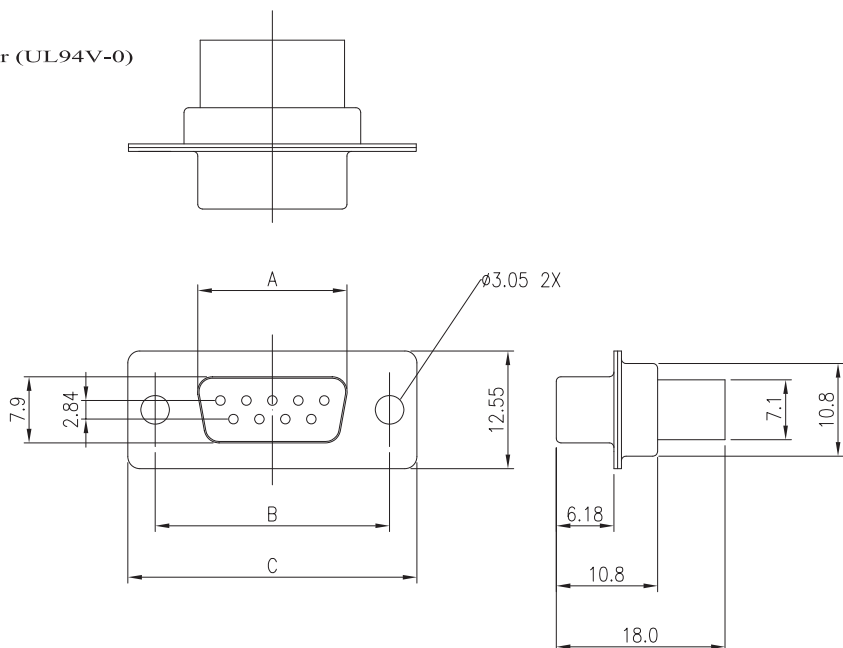
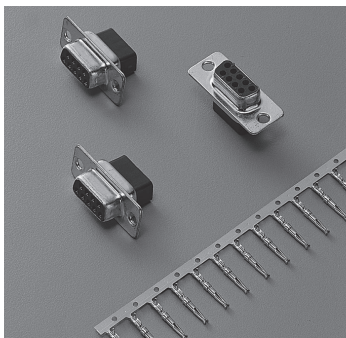
Ordering Information

Part No.	Wire Range	Insulation O.D.	Material	Finish	Q'ty/reel
6036 - G	AWG #24~#26	1.45mm (max)	Phos. Bronze	Gold Plated	10,000 pcs

6036 Series

■ HOUSING

- Part No.: 6036-H
- Material: PBT & 30%Glass Fiber (UL94V-0)
- D-Sub crimp housing
- Poles: 09, 15, 25, 37
- Accepts terminals : 6036-G



Ordering Information and Dimensions

CIRCUITS	PART NO.	DIMENSION		
		A	B	C
9	6036-H-09P	16.34	24.99	30.81
15	6036-H-15P	24.67	33.32	39.14
25	6036-H-25P	38.38	47.04	53.04
37	6036-H-37P	54.84	63.50	69.32