

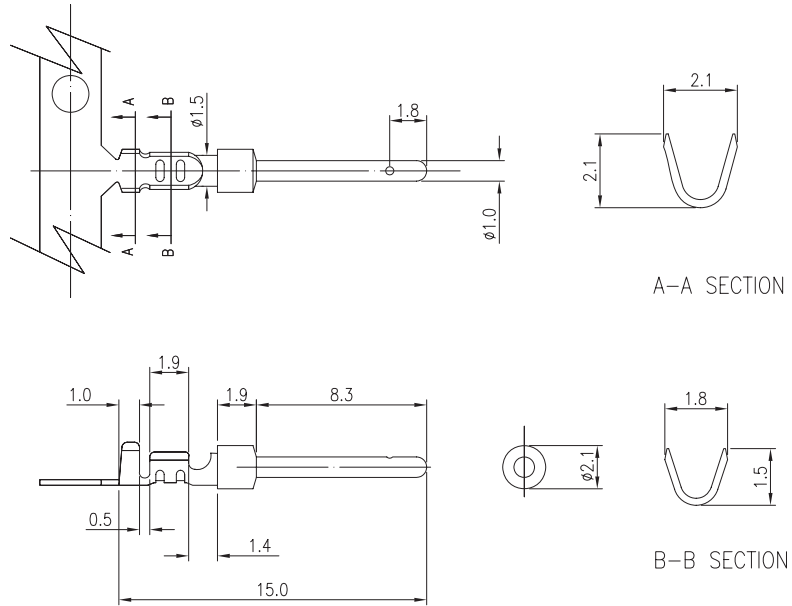
# D-Sub 1.0mm Wire to Wire Connector



## 6035 Series

### ■ TERMINAL

- Part No.: 6035-G
- Material: Brass
- Thickness: 0.2mm
- Plating: Gold
- Wire Range: Suitable for AWG#24~26
- Insulation O.D.: 1.45mm (max)
- Q'TY: 10,000 pcs/reel
- Accepts housing : 6035-H



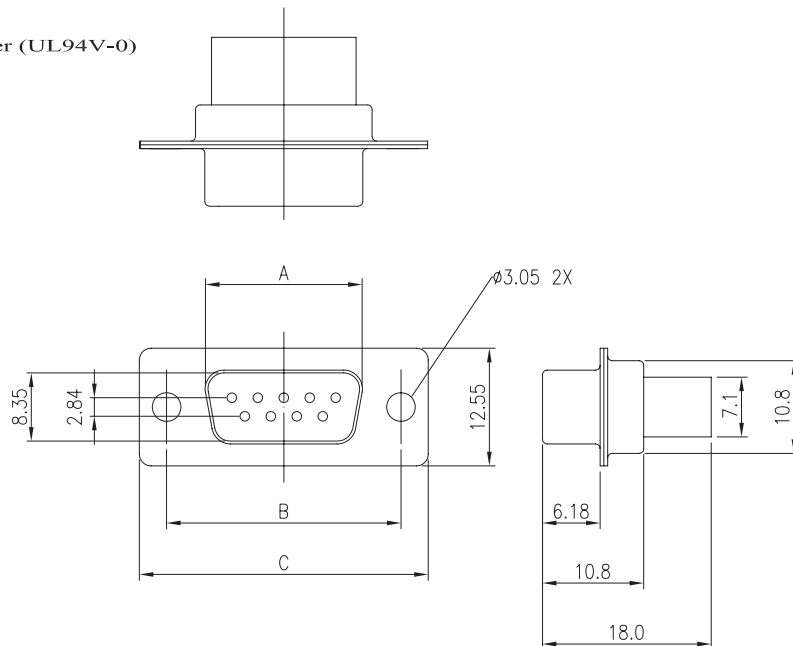
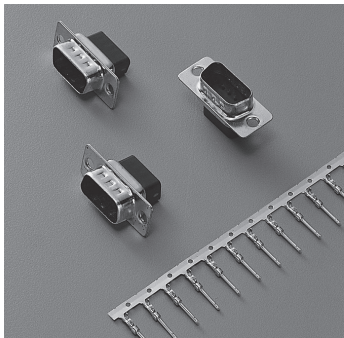
### Ordering Information

Part No.	Wire Range	Insulation O.D.	Material	Finish	Q'ty/reel
6035 - G	AWG #24~#26	1.45mm (max)	Brass	Gold Plated	10,000 pcs

## 6035 Series

### ■ HOUSING

- Part No.: 6035-H
- Material: PBT & 30%Glass Fiber (UL94V-0)
- D-Sub crimp housing
- Poles: 09, 15, 25, 37
- Accepts terminals : 6035-G



### Ordering Information and Dimensions

CIRCUITS	PART NO.	DIMENSION		
		A	B	C
9	6035-H-09P	16.92	24.99	30.81
15	6035-H-15P	25.25	33.32	39.14
25	6035-H-25P	38.97	47.04	53.04
37	6035-H-37P	55.43	63.50	69.32