

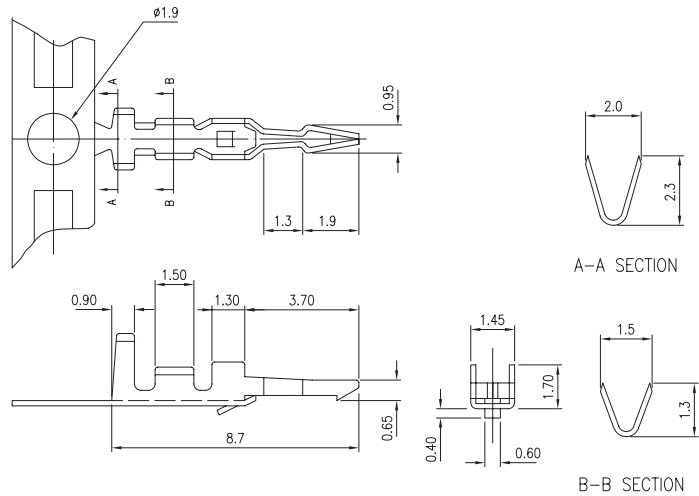
# 2.0mm .079" Center Board In Type Connector



## 5020 Series

### ■ TERMINAL

- Part No.: 5020-T-T-S
- Material: Brass
- Thickness: 0.2mm
- Plating: Tin plated 60u"
- Wire Range: Suitable for AWG#26~30
- Insulation O.D: 1.40mm (max)
- Q'TY: 10,000 pcs/reel
- Accepts housing : 5020-H



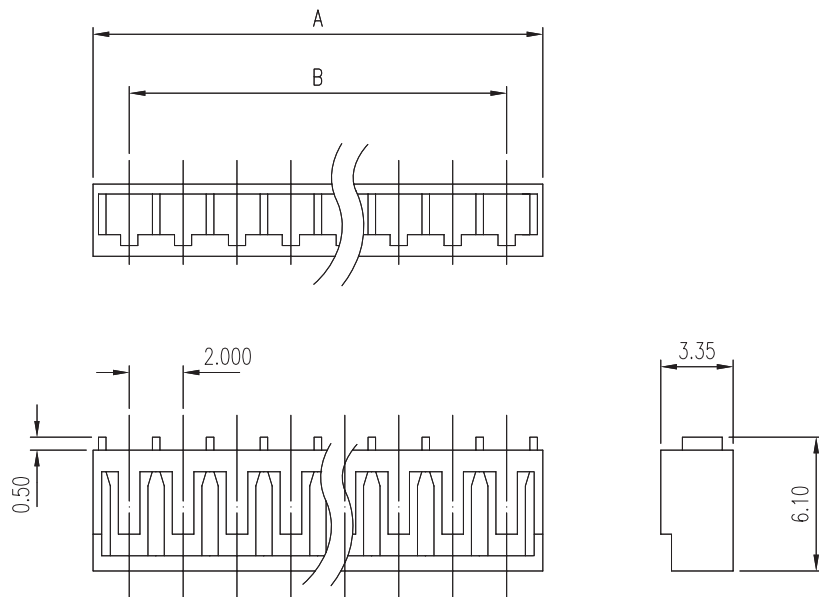
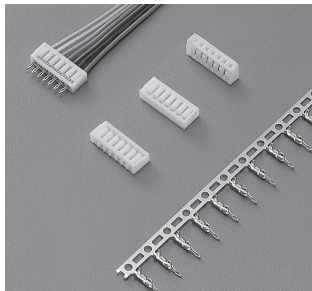
### Ordering Information

Part No.	Wire Range	Insulation O.D.	Material	Finish	Q'ty/reel
5020-T-T-S	AWG #26~#30	1.40mm (max)	Brass	Tin-Plated after press/forming	10,000 pcs

## 5020 Series

### ■ HOUSING

- Part No.: 5020-H
- Material: Nylon 66, UL94V-2
- Pitch: 2.0mm (.079")
- Poles: 2~16
- Q'TY: 1,000 pcs/bag
- Accepts terminals : 5020-T-T-S



### Ordering Information and Dimensions

CIRCUITS	PART NO.	DIMENSION	
		A	B
2	5020-H-02P	5.2	2.0
3	5020-H-03P	7.2	4.0
4	5020-H-04P	9.2	6.0
5	5020-H-05P	11.2	8.0
6	5020-H-06P	13.2	10.0
7	5020-H-07P	15.2	12.0
8	5020-H-08P	17.2	14.0
9	5020-H-09P	19.2	16.0

CIRCUITS	PART NO.	DIMENSION	
		A	B
10	5020-H-10P	21.2	18.0
11	5020-H-11P	23.2	20.0
12	5020-H-12P	25.2	22.0
13	5020-H-13P	27.2	24.0
14	5020-H-14P	29.2	26.0
15	5020-H-15P	31.2	28.0
16	5020-H-16P	33.2	30.0