

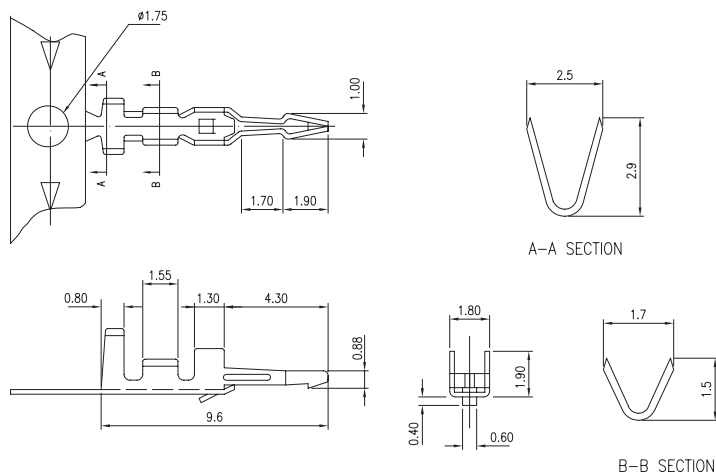
2.5mm .098" Center Board - In Type Connector



2513 Series

■ TERMINAL

- Part No.: 2513-T-T-S
- Material: Brass
- Thickness: 0.2mm
- Plating: Tin plated 60u"
- Wire Range: Suitable for AWG#26~30
- Insulation O.D: 1.90mm (max)
- Q'TY: 10,000 pcs/reel
- Accepts housing : 2513-H



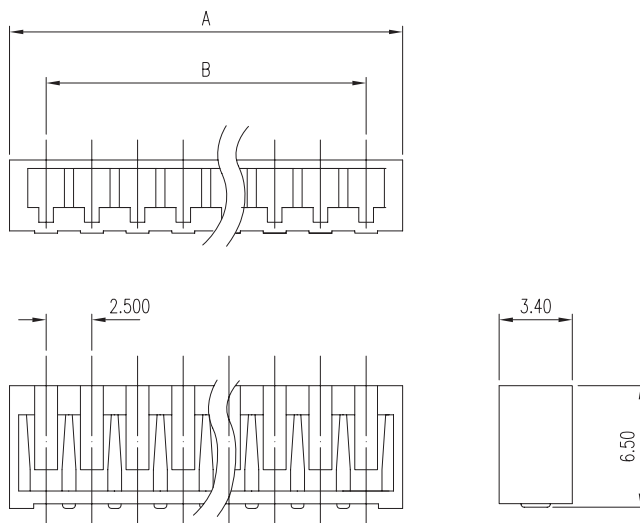
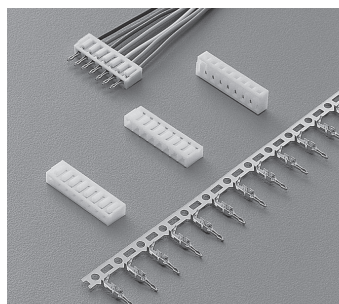
Ordering Information

Part No.	Wire Range	Insulation O.D.	Material	Finish	Q'ty/reel
2513-T-T-S	AWG #26~#30	1.90mm (max)	Brass	Tin Plated after press / forming	10,000 pcs

2513 Series

■ HOUSING

- Part No.: 2513-H
- Material: Nylon 66, UL94V-2
- Pitch: 2.5mm (.098")
- Poles: 2~16
- Q'TY: 1,000 pcs/bag
- Accepts terminals : 2513-T-T-S



Ordering Information and Dimensions

CIRCUITS	PART NO.	DIMENSION	
		A	B
2	2513-H-02P	5.90	2.50
3	2513-H-03P	8.40	5.00
4	2513-H-04P	10.90	7.50
5	2513-H-05P	13.40	10.00
6	2513-H-06P	15.90	12.50
7	2513-H-07P	18.40	15.00
8	2513-H-08P	20.90	17.50
9	2513-H-09P	23.40	20.00

CIRCUITS	PART NO.	DIMENSION	
		A	B
10	2513-H-10P	25.90	22.50
11	2513-H-11P	28.40	25.00
12	2513-H-12P	30.90	27.50
13	2513-H-13P	33.40	30.00
14	2513-H-14P	35.90	32.50
15	2513-H-15P	38.40	35.00
16	2513-H-16P	40.90	37.50