

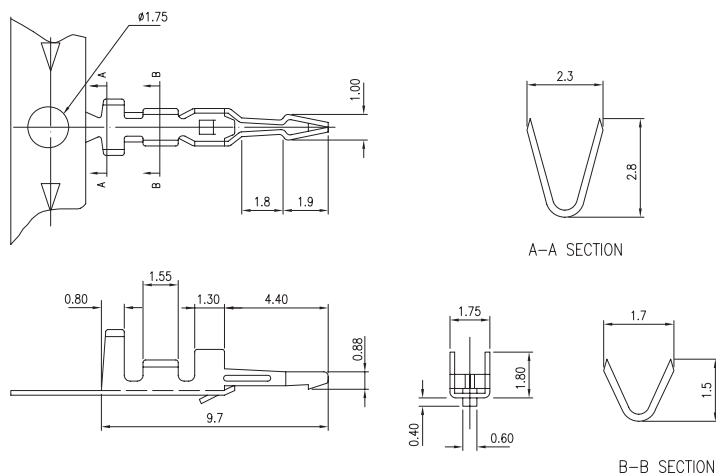
2.5mm .098" Center Board In Type Connector



2501 Series

■ TERMINAL

- Part No.: 2501-T-T-S
- Material: Brass
- Thickness: 0.2mm
- Plating: Tin plated 60u"
- Wire Range: Suitable for AWG#26~30
- Insulation O.D: 1.90mm (max)
- Q'TY: 10,000 pcs/reel
- Accepts housing : 2501-H



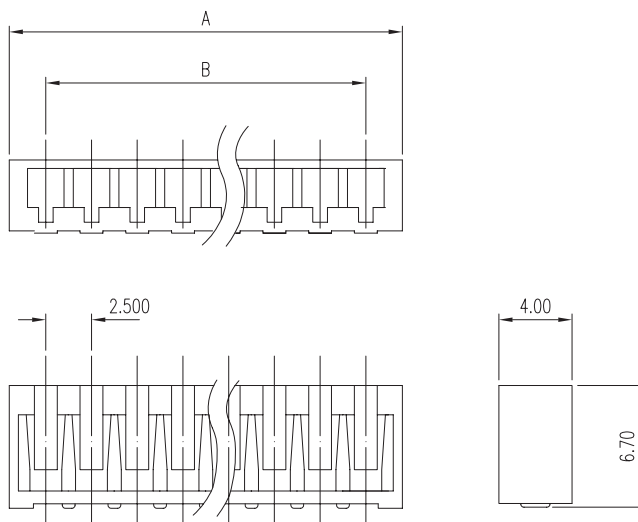
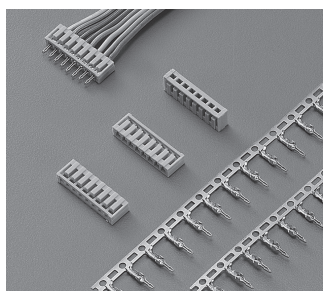
Ordering Information

Part No.	Wire Range	Insulation O.D.	Material	Finish	Q'ty/reel
2501-T-T-S	AWG #26~#30	1.90mm (max)	Brass	Tin Plated after press / forming	10,000 pcs

2501 Series

■ HOUSING

- Part No.: 2501-H
- Material: Nylon 66, UL94V-2
- Pitch: 2.5mm (.098")
- Poles: 2~20
- Q'TY: 1,000 pcs/bag
- Accepts terminals : 2501-T-T-S



Ordering Information and Dimensions

CIRCUITS	PART NO.	DIMENSION	
		A	B
2	2501-H-02P	6.50	2.50
3	2501-H-03P	9.00	5.00
4	2501-H-04P	11.50	7.50
5	2501-H-05P	14.00	10.00
6	2501-H-06P	16.50	12.50
7	2501-H-07P	19.00	15.00
8	2501-H-08P	21.50	17.50
9	2501-H-09P	24.00	20.00

CIRCUITS	PART NO.	DIMENSION	
		A	B
10	2501-H-10P	26.50	22.50
11	2501-H-11P	29.00	25.00
12	2501-H-12P	31.50	27.50
13	2501-H-13P	34.00	30.00
14	2501-H-14P	36.50	32.50
15	2501-H-15P	39.00	35.00
16	2501-H-16P	41.50	37.50
20	2501-H-20P	51.50	47.50