

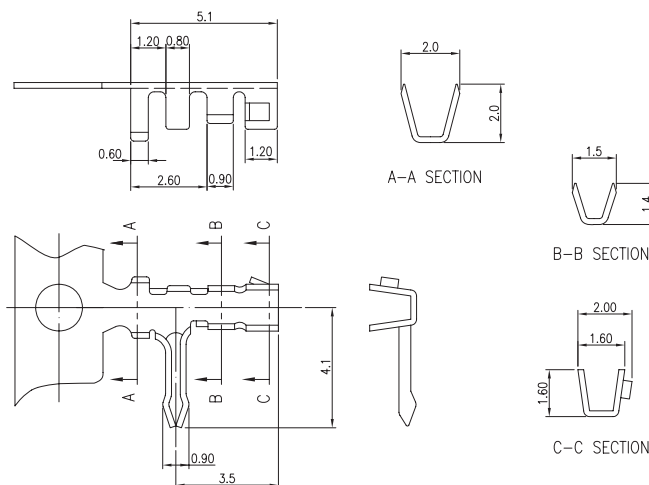
# 2.0mm .079" Center Board In Type Connector



## 2015 Series

### ■ TERMINAL

- Part No.: 2015-T-T-S
- Material: Brass
- Thickness: 0.2mm
- Plating: Tin plated 60u"
- Wire Range: Suitable for AWG#26~30
- Insulation O.D: 1.40mm (max)
- Q'TY: 10,000 pcs/reel
- Accepts housing : 2015-H



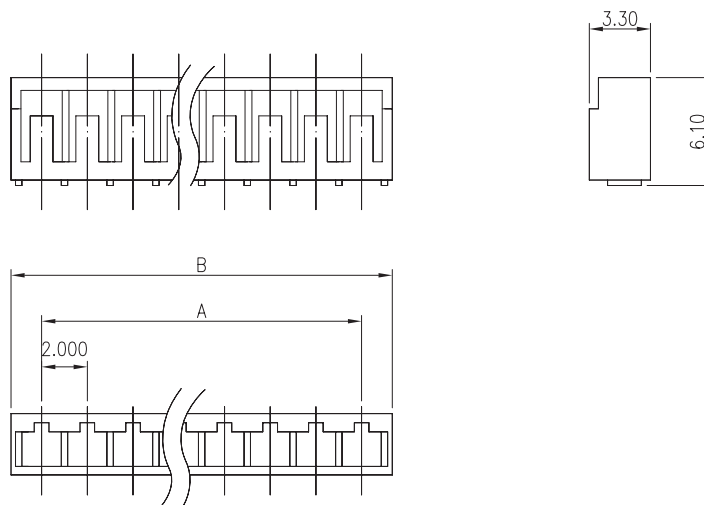
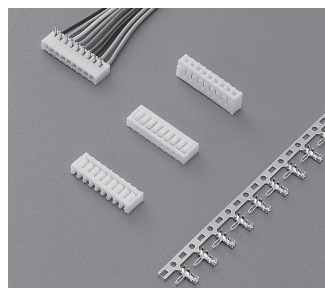
### Ordering Information

Part No.	Wire Range	Insulation O.D.	Material	Finish	Q'ty/reel
2015-T-T-S	AWG #26~#30	1.40mm (max)	Brass	Tin Plated after press / forming	10,000 pcs

## 2015 Series

### ■ HOUSING

- Part No.: 2015-H
- Material: Nylon 66, UL94V-2
- Pitch: 2.0mm (.079")
- Poles: 2~16
- Q'TY: 1,000 pcs/bag
- Accepts terminals : 2015-T-T-S



### Ordering Information and Dimensions

CIRCUITS	PART NO.	DIMENSION	
		A	B
2	2015-H-02P	2.00	5.20
3	2015-H-03P	4.00	7.20
4	2015-H-04P	6.00	9.20
5	2015-H-05P	8.00	11.20
6	2015-H-06P	10.00	13.20
7	2015-H-07P	12.00	15.20
8	2015-H-08P	14.00	17.20
9	2015-H-09P	16.00	19.20

CIRCUITS	PART NO.	DIMENSION	
		A	B
10	2015-H-10P	18.00	21.20
11	2015-H-11P	20.00	23.20
12	2015-H-12P	22.00	25.20
13	2015-H-13P	24.00	27.20
14	2015-H-14P	26.00	29.20
15	2015-H-15P	28.00	31.20
16	2015-H-16P	30.00	33.20