

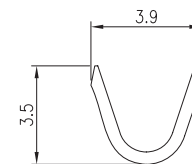
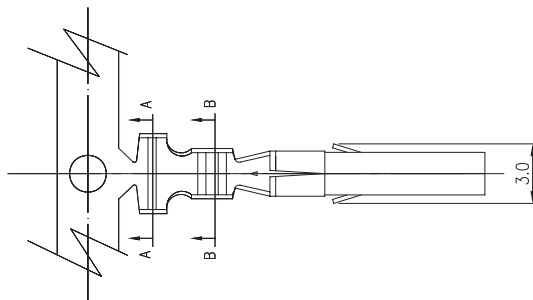
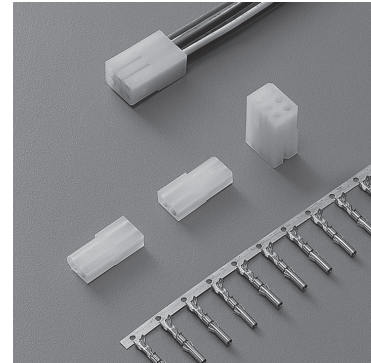
3.68mm .144" Center Wire to Wire Connector



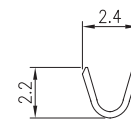
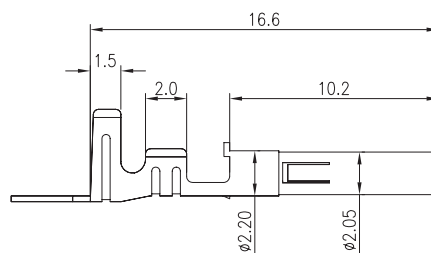
1582 Series

■ TERMINAL

- Part No.: 1582-T-T-S
- Material: Brass
- Thickness: 0.2mm
- Plating: Tin plated 60u"
- Wire Range: Suitable for AWG#18~24
- Insulation O.D: 3.0mm (max)
- Q'TY: 7,000 pcs/reel
- Accepts housing : 1582-H



A-A SECTION



B-B SECTION

Ordering Information

Part No.	Wire Range	Insulation O.D.	Material	Finish	Q'ty/reel	Note
1582-T-T-S	AWG #18~#24	3.0mm (max)	Brass	Tin Plated	7,000 pcs	

3.68mm .144" Center Wire to Wire Connector



1582 Series

■ HOUSING

- Part No.: 1582-H
- Material: Nylon66, UL94V-2
- Pitch: 3.68mm (.144")
- Poles: 1~5, 2x2, 2x3, 3x3, 3x4, 3x5
- Accepts terminal : 1582-T-T-S
- Mates with: 1581-H

■ SPECIFICATIONS

- Rated Voltage: 250V AC,DC
- Rated Current: 5A
- Withstand Voltage: 800V AC/minute
- Insulation Resistance: 1,000M Ohm min
- Temperature Range: -25~85°C

<p style="text-align: center;">1582-H-1X1</p>	<p style="text-align: center;">1582-H-2X2</p>
<p style="text-align: center;">1582-H-1X2</p>	<p style="text-align: center;">1582-H-2X3</p>
<p style="text-align: center;">1582-H-1X3</p>	<p style="text-align: center;">1582-H-3X3</p>
<p style="text-align: center;">1582-H-1X4</p>	<p style="text-align: center;">1582-H-3X4</p>
<p style="text-align: center;">1582-H-1X5</p>	<p style="text-align: center;">1582-H-3X5</p>