

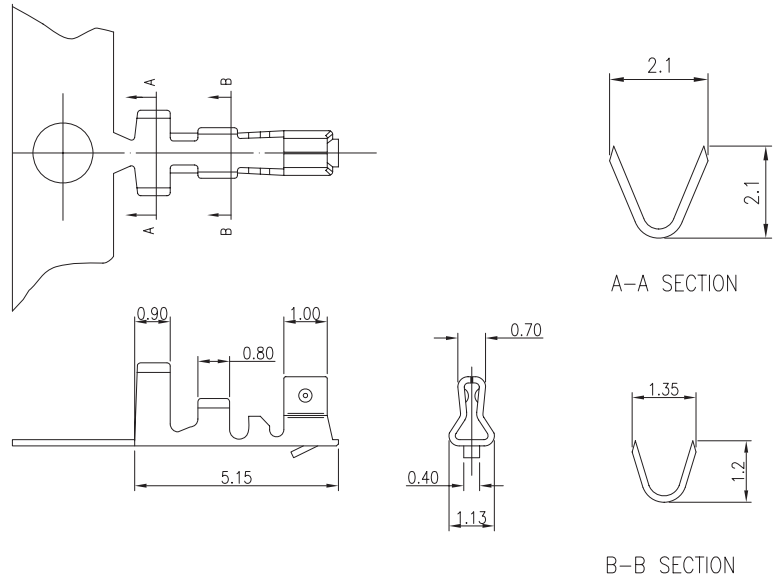
1.5mm .059" Center Wire to Board Connector



1501 Series

■ TERMINAL

- Part No.: 1501-T-T-S
- Material: Phos. bronze
- Thickness: 0.15mm
- Plating: Tin plated 60u"
- Wire Range: Suitable for AWG#26~30
- Insulation O.D.: 1.10mm (max)
- Q'TY: 15,000 pcs/reel
- Accepts housing : 1501-H



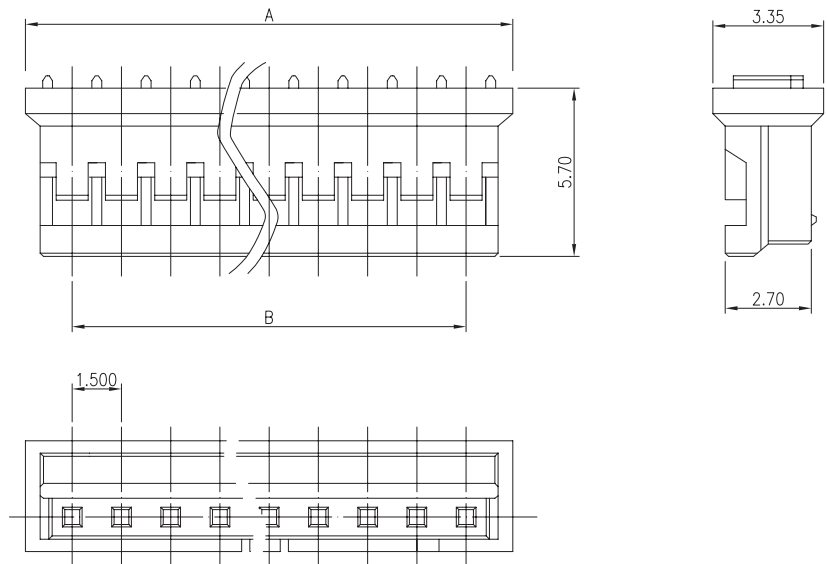
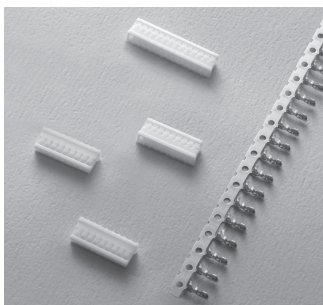
Ordering Information

Part No.	Wire Range	Insulation O.D.	Material	Finish	Q'ty/reel	Note
1501-T-T-S	AWG #26~30	1.10mm (max)	Phos. bronze	Tin Plated	15,000 pcs	

1501 Series

■ HOUSING

- Part No.: 1501-H
- Material: Nylon 66, UL94V-2
- Pitch: 1.55mm (.059")
- Poles: 2~15
- Q'TY: 1,000 pcs/bag
- Accepts terminals : 1501-T-T-S



Ordering Information and Dimensions

CIRCUITS	PART NO.	DIMENSION	
		A	B
2	1501-H-02P	4.10	1.50
3	1501-H-03P	5.60	3.00
4	1501-H-04P	7.10	4.50
5	1501-H-05P	8.60	6.00
6	1501-H-06P	10.10	7.50
7	1501-H-07P	11.60	9.00
8	1501-H-08P	13.10	10.50

CIRCUITS	PART NO.	DIMENSION	
		A	B
9	1501-H-09P	14.60	12.00
10	1501-H-10P	16.10	13.50
11	1501-H-11P	17.60	15.00
12	1501-H-12P	19.10	16.50
13	1501-H-13P	20.60	18.00
14	1501-H-14P	22.10	19.50
15	1501-H-15P	23.60	21.00