

1.50mm .059" Center Wire to Board Connector



1500 Series

■ WAFER

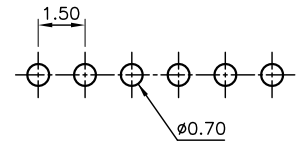
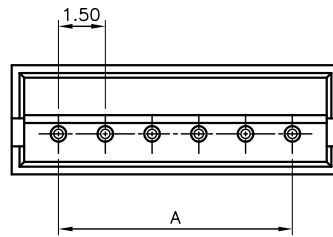
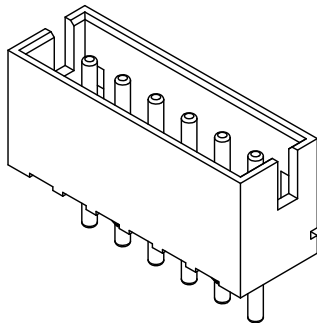
- Part No.: 1500-WS-xxP

Specifications

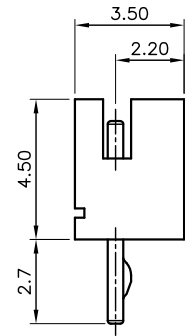
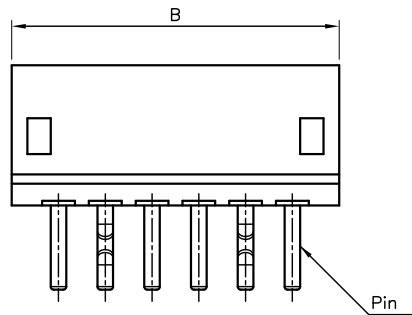
- Electrical
- Voltage Rating: 100V AC,DC
- Current Rating: 1A
- Withstanding Voltage: 800V AC/ minute
- Insulation Resistance: 1000MΩ Min
- Mates with: 1500-H-xxP

Material

- Circuits: 2~13
- Housing: Nylon 66, UL 94V-0
- Pin: Brass, Tin plated
- Temperature Range: -25~+85°C



PCB PATTREN LAYOUT



Ordering Information and Dimensions

CIRCUITS	PART NO.	DIMENSION	
		A	B
2	1500-WS-02P	1.50	4.50
3	1500-WS-03P	3.00	6.00
4	1500-WS-04P	4.50	7.50
5	1500-WS-05P	6.00	9.00
6	1500-WS-06P	7.50	10.50
7	1500-WS-07P	9.00	12.00

CIRCUITS	PART NO.	DIMENSION	
		A	B
8	1500-WS-08P	10.50	13.50
9	1500-WS-09P	12.00	15.00
10	1500-WS-10P	13.50	16.50
11	1500-WS-11P	15.00	18.00
12	1500-WS-12P	16.50	19.50
13	1500-WS-13P	18.00	21.00

1500 Series

■ WAFER

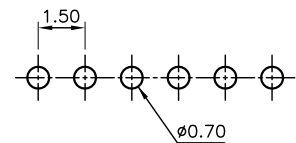
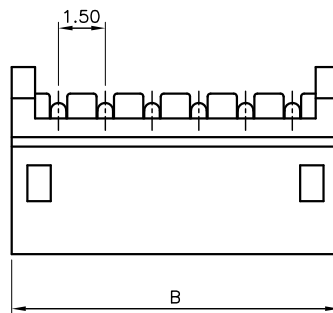
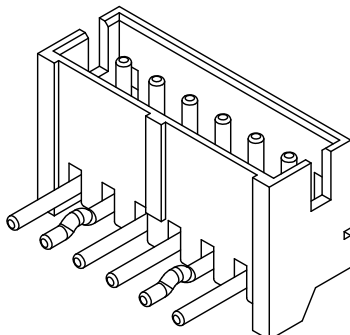
- Part No.: 1500-WR-xxP

Specifications

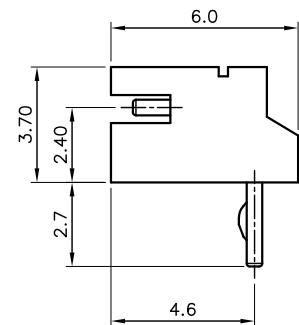
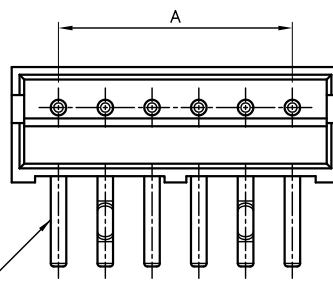
- Electrical
- Voltage Rating: 100V AC,DC
- Current Rating: 1A
- Withstanding Voltage: 800V AC/ minute
- Insulation Resistance: 1000MΩ Min
- Mates with: 1500-H-xxP

Material

- Circuits: 2~13
- Housing: Nylon 66, UL 94V-0
- Pin: Brass, Tin plated
- Temperature Range: -25~+85°C



PCB PATTREN LAYOUT



Ordering Information and Dimensions

CIRCUITS	PART NO.	DIMENSION	
		A	B
2	1500-WR-02P	1.50	4.50
3	1500-WR-03P	3.00	6.00
4	1500-WR-04P	4.50	7.50
5	1500-WR-05P	6.00	9.00
6	1500-WR-06P	7.50	10.50
7	1500-WR-07P	9.00	12.00

CIRCUITS	PART NO.	DIMENSION	
		A	B
8	1500-WR-08P	10.50	13.50
9	1500-WR-09P	12.00	15.00
10	1500-WR-10P	13.50	16.50
11	1500-WR-11P	15.00	18.00
12	1500-WR-12P	16.50	19.50
13	1500-WR-13P	18.00	21.00

1.50mm .059" Center Wire to Board Connector



1500 Series

■ WAFER

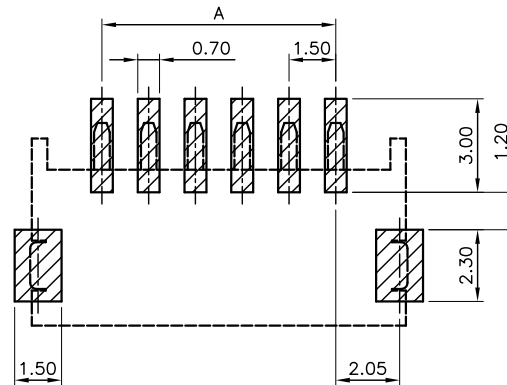
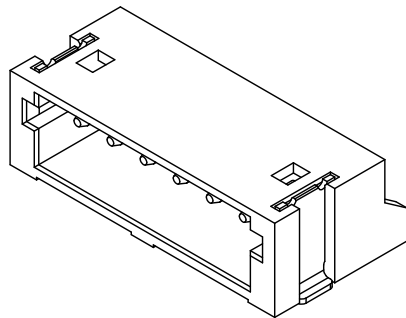
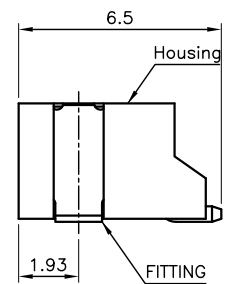
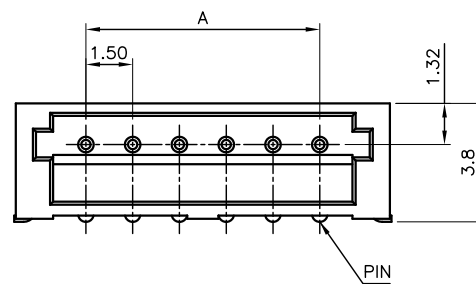
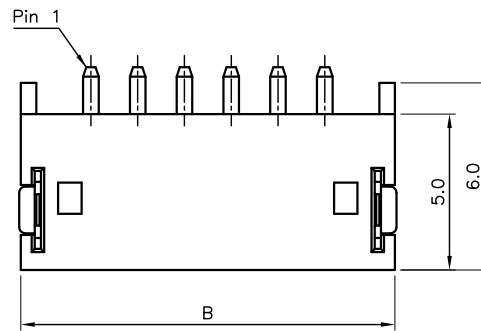
• Part No.: 1500-SMTR-xxP

Specifications

- Electrical
- Voltage Rating: 100V AC, DC
- Current Rating: 1A
- Withstanding Voltage: 500V AC/ minute.
- Insulation Resistance: 500MΩ Min
- Contact Resistance: 20mΩ Max
- Mates with: 1500-H-xxP

Material

- Circuits: 2~13
- Housing: LCP, UL 94V-0
- Pin: Brass, Tin plated
- Fitting: Phosphor bronze, Tin plated
- Temperature Range: -25~+85°C



PCB PATTREN LAYOUT

Ordering Information and Dimensions

CIRCUITS	PART NO.	DIMENSION	
		A	B
2	1500-SMTR-02P	1.50	6.0
3	1500-SMTR-03P	3.00	7.5
4	1500-SMTR-04P	4.50	9.0
5	1500-SMTR-05P	6.00	10.5
6	1500-SMTR-06P	7.50	12.0
7	1500-SMTR-07P	9.00	13.5

CIRCUITS	PART NO.	DIMENSION	
		A	B
8	1500-SMTR-08P	10.50	15.0
9	1500-SMTR-09P	12.00	16.5
10	1500-SMTR-10P	13.50	18.0
11	1500-SMTR-11P	15.00	19.5
12	1500-SMTR-12P	16.50	21.0
13	1500-SMTR-13P	18.00	22.5