

1.25mm .049" Center Wire to Board Connector

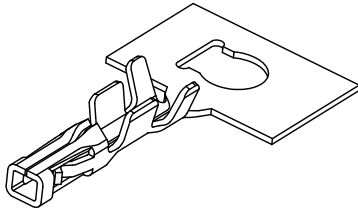
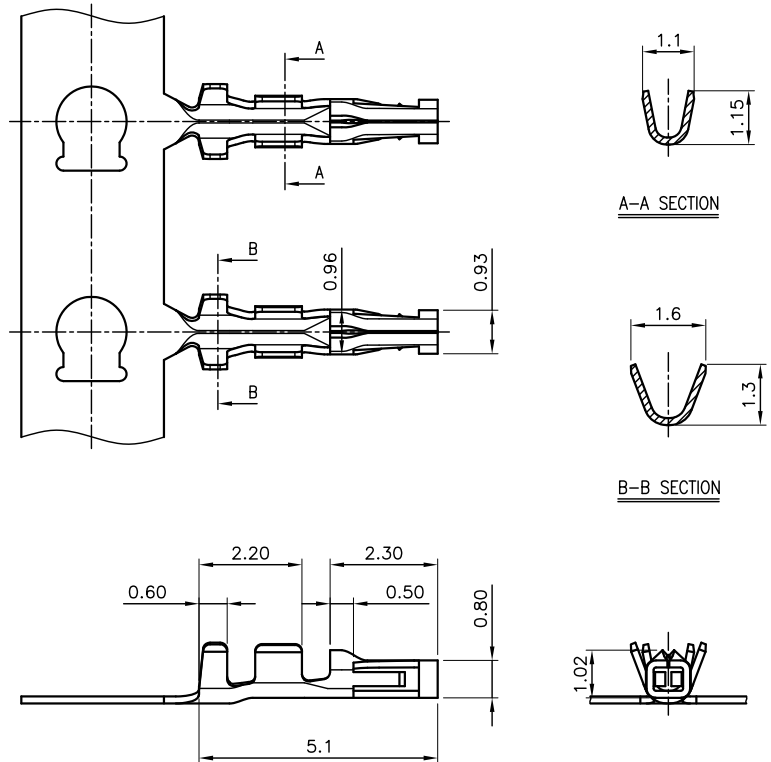


1258 Series

■ TERMINAL

• Part No.: 1258-G-P
1258-T-T-S

- Material: Phosphor bronze
- Thickness: 0.15mm
- Plating: Gold plated, Tin plated
- Applicable Wire: AWG#28~32
- Insulation O.D: 0.90mm (Max)
- Q'TY : 15,000 pcs/ reel
- Accepts housing: 1258-HS-xxP
1258-HD-xxP

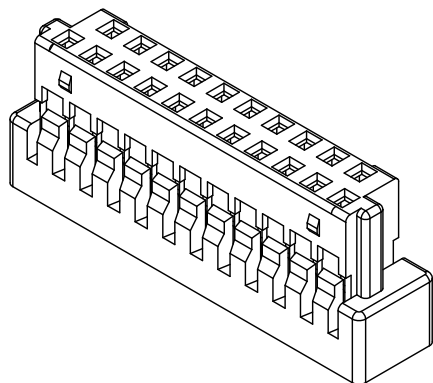
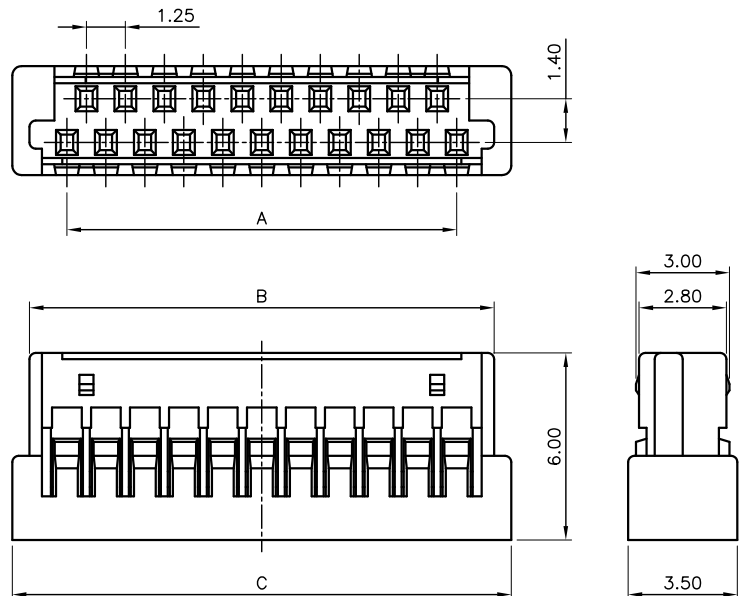


1258 Series

■ HOUSING

• Part No.: 1258-HD-xxP

- Material: Nylon 66, UL 94V-0
- Pitch: 1.25mm (.049")
- Circuits: 21, 31, 41
- Q'TY : 1,000 pcs/ bag
- Accepts terminal: 1258-G-P
1258-T-T-S



Ordering Information and Dimensions

CIRCUITS	PART NO.	DIMENSION		
		A	B	C
21	1258-HD-21P	12.50	14.90	16.00
31	1258-HD-31P	18.75	21.15	22.25
41	1258-HD-41P	25.00	27.40	28.50

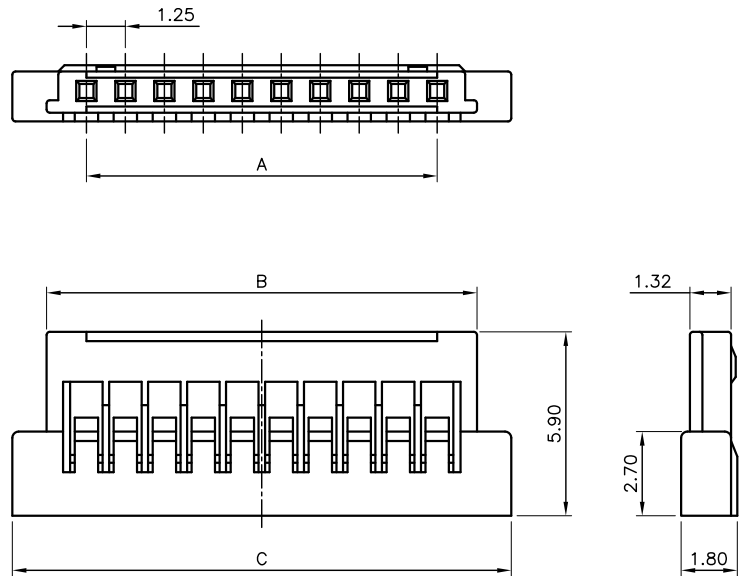
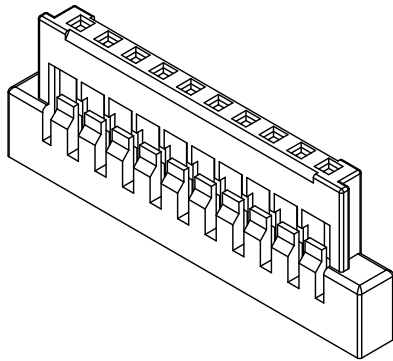
1.25mm .049" Center Wire to Board Connector



1258 Series

HOUSING

- Part No.: 1258-HS-xxP
- Material: Nylon 66, UL 94V-0
- Pitch: 1.25mm (.049")
- Circuits: 2~30
- Q'TY : 1,000 pcs/ bag
- Accepts terminal: 1258-G-P
1258-T-T-S



Ordering Information and Dimensions

CIRCUITS	PART NO.	DIMENSION		
		A	B	C
2	1258-HS-02P	1.25	3.80	6.00
3	1258-HS-03P	2.50	5.05	7.25
4	1258-HS-04P	3.75	6.30	8.50
5	1258-HS-05P	5.00	7.55	9.75
6	1258-HS-06P	6.25	8.80	11.00

CIRCUITS	PART NO.	DIMENSION		
		A	B	C
7	1258-HS-07P	7.50	10.05	12.25
8	1258-HS-08P	8.75	11.30	13.50
10	1258-HS-10P	11.25	13.80	16.00
20	1258-HS-20P	23.75	26.30	28.50
30	1258-HS-30P	36.25	38.80	41.00

1258 Series

WAFER

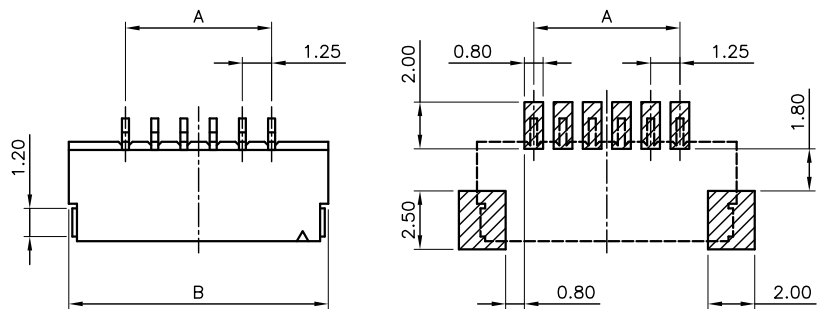
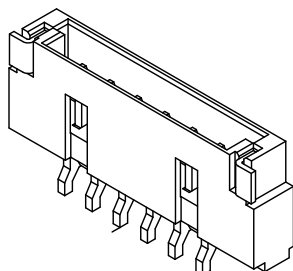
- Part No.: 1258-SMTR_-xxP

Specifications

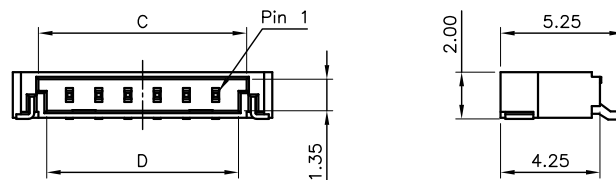
- Electrical
- Voltage Rating: 50V AC
- Current Rating: 1A
- Withstanding Voltage: 150V AC/ minute.
- Insulation Resistance: 500MΩ Min
- Contact Resistance: 50mΩ Max
- Mates with: 1258-HS-xxP

Material

- Circuits: 2~30
- Housing: Nylon 6T, UL 94V-0
- Pin: Brass, Gold plated
- Fitting: Brass, Tin plated
- Temperature Range: -25~+85°C



PCB PATTREN LAYOUT



Ordering Information and Dimensions

CIRCUITS	PART NO.	DIMENSION			
		A	B	C	D
2	1258-SMTR_-02P	1.25	6.10	3.90	3.20
3	1258-SMTR_-03P	2.50	7.35	5.15	4.45
4	1258-SMTR_-04P	3.75	8.60	6.40	5.70
5	1258-SMTR_-05P	5.00	9.85	7.65	6.95
6	1258-SMTR_-06P	6.25	11.10	8.90	8.20
7	1258-SMTR_-07P	7.50	12.35	10.15	9.45
8	1258-SMTR_-08P	8.75	13.60	11.40	10.70
10	1258-SMTR_-10P	11.25	16.10	13.90	13.20