

# 1.25mm .049" Center Wire to Board Connector

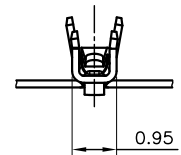
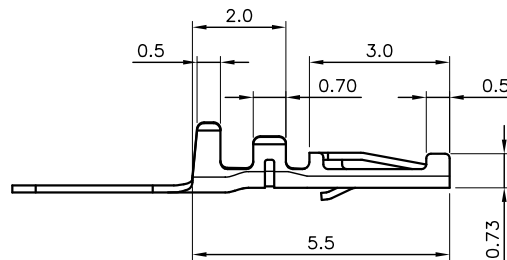
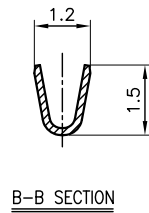
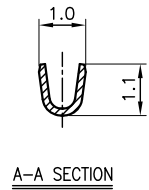
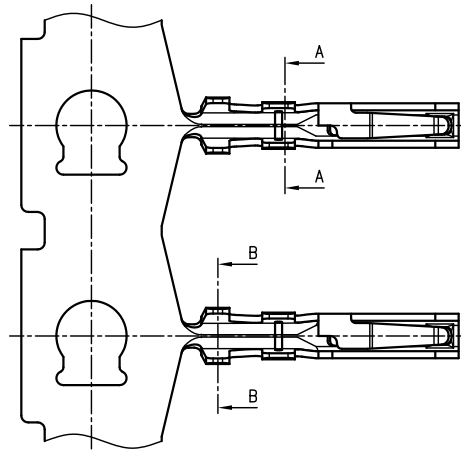
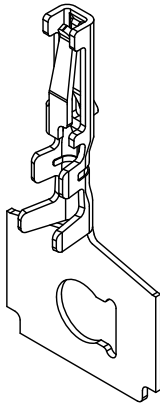


## 1256 Series

### ■ TERMINAL

• Part No.: 1256-G-P  
1256-T-T-S

- Material: Phosphor bronze
- Thickness: 0.15mm
- Plating: Gold plated, Tin plated
- Applicable Wire: AWG#28~32
- Insulation O.D: 0.90mm (Max)
- Q'TY : 15,000 pcs/ reel
- Accepts housing: 1256-H-xxP

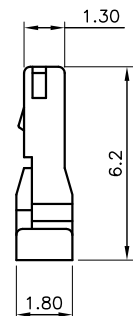
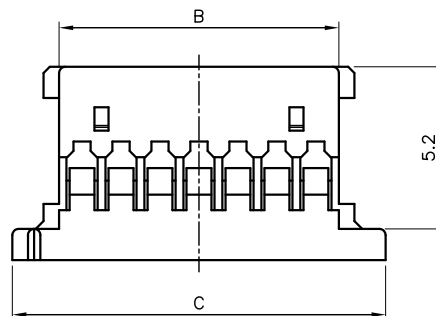
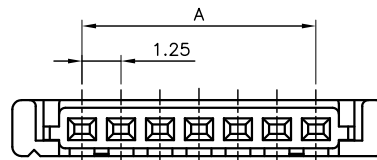
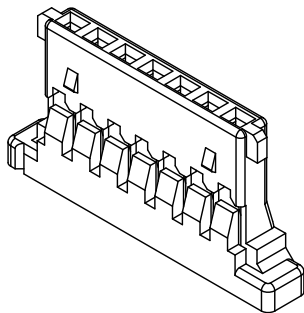


## 1256 Series

### ■ HOUSING

• Part No.: 1256-H-xxP

- Material: Nylon 66, UL 94V-0
- Pitch: 1.25mm (.049")
- Circuits: 2~30
- Q'TY : 1,000 pcs/ bag
- Accepts terminal: 1256-G-P  
1256-T-T-S



### Ordering Information and Dimensions

CIRCUITS	PART NO.	DIMENSION		
		A	B	C
2	1256-H-02P	1.25	2.72	5.72
3	1256-H-03P	2.50	3.97	6.97
4	1256-H-04P	3.75	5.22	8.22
5	1256-H-05P	5.00	6.47	9.47
6	1256-H-06P	6.25	7.72	10.72
7	1256-H-07P	7.50	8.97	11.97
8	1256-H-08P	8.75	10.22	13.22
9	1256-H-09P	10.00	11.47	14.47

CIRCUITS	PART NO.	DIMENSION		
		A	B	C
10	1256-H-10P	11.25	12.72	15.72
12	1256-H-12P	13.75	15.22	18.22
14	1256-H-14P	16.25	17.72	20.72
15	1256-H-15P	17.50	18.97	21.97
20	1256-H-20P	23.75	25.22	28.22
22	1256-H-22P	26.25	27.72	30.72
26	1256-H-26P	31.25	32.72	35.72
30	1256-H-30P	36.25	37.72	40.72