

1.25mm .049" Center Wire to Board Connector



1256 Series

■ WAFER

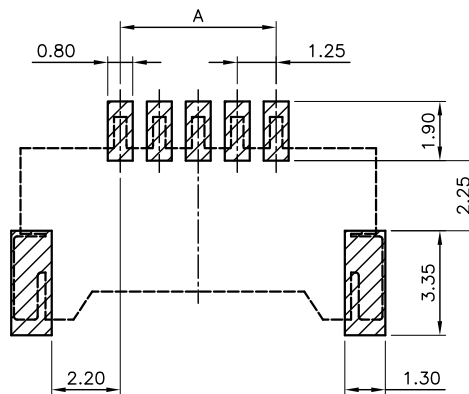
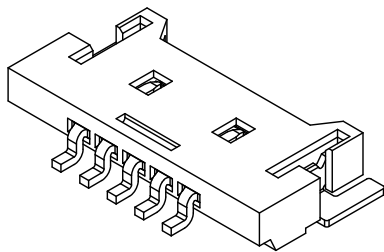
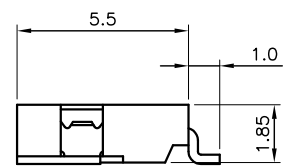
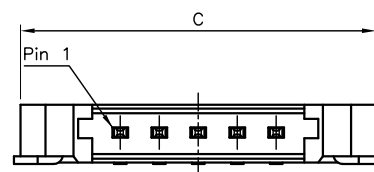
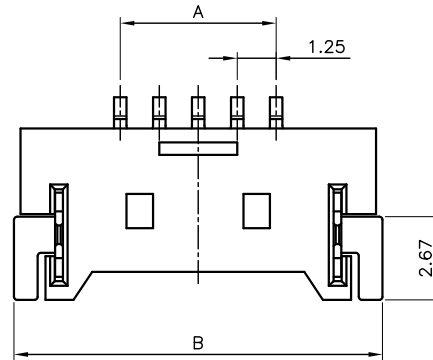
• Part No.: 1256-SMTR-xxP

Specifications

- Electrical
- Voltage Rating: 200V AC, DC
- Current Rating: 1A
- Withstanding Voltage: 250V AC/ minute.
- Insulation Resistance: 100MΩ Min
- Contact Resistance: 20mΩ Max
- Mates with: 1256-H-xxP

Material

- Circuits: 2~30
- Housing: Nylon 6T, UL 94V-0
- Pin: Brass, Gold plated
- Fitting: Brass, Gold plated
- Temperature Range: -25~+85°C



PCB PATTREN LAYOUT

Ordering Information and Dimensions

CIRCUITS	PART NO.	DIMENSION		
		A	B	C
2	1256-SMTR-02P	1.25	8.07	7.65
3	1256-SMTR-03P	2.50	9.32	8.90
4	1256-SMTR-04P	3.75	10.57	10.15
5	1256-SMTR-05P	5.00	11.82	11.40
6	1256-SMTR-06P	6.25	13.07	12.65
7	1256-SMTR-07P	7.50	14.32	13.90
8	1256-SMTR-08P	8.75	15.57	15.15
9	1256-SMTR-09P	10.00	16.82	16.40

CIRCUITS	PART NO.	DIMENSION		
		A	B	C
10	1256-SMTR-10P	11.25	18.07	17.65
12	1256-SMTR-12P	13.75	20.57	20.15
14	1256-SMTR-14P	16.25	23.07	22.65
15	1256-SMTR-15P	17.50	24.32	23.90
20	1256-SMTR-20P	23.75	30.57	30.15
22	1256-SMTR-22P	26.25	33.07	32.65
26	1256-SMTR-26P	31.25	38.07	37.65
30	1256-SMTR-30P	36.25	43.07	42.65