

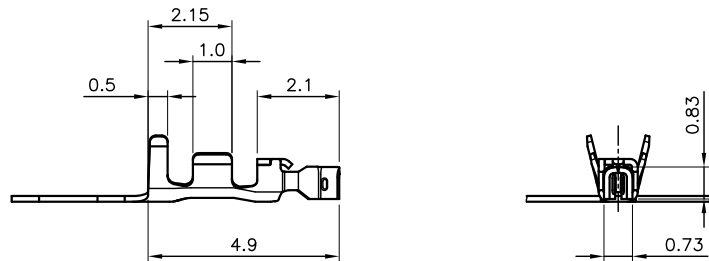
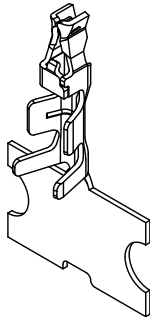
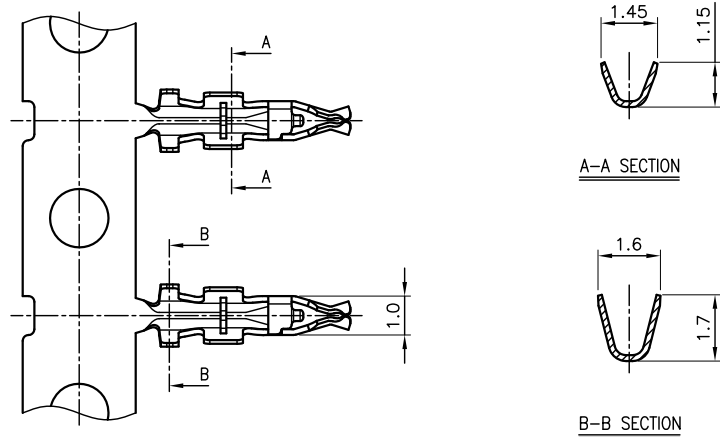
# 1.25mm .049" Center Wire to Board Connector



## 1253 Series

### ■ TERMINAL

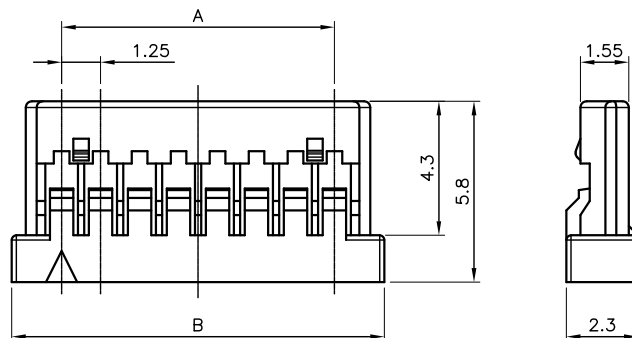
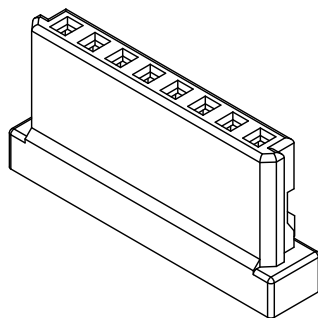
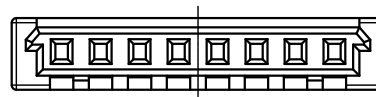
- Part No.: 1253-T-T-S
- Material: Phosphor Bronze
- Thickness: 0.15mm
- Plating: Tin plated
- Applicable Wire: AWG#28~32
- Insulation O.D: 0.90mm (Max)
- Q'TY : 10,000 pcs/ reel
- Accepts housing: 1253-H-xxP



## 1253 Series

### ■ HOUSING

- Part No.: 1253-H-xxP
- Material: Nylon 66, UL 94V-0
- Pitch: 1.25mm (.049")
- Circuits: 2~10, 15, 20, 25, 30
- Q'TY : 1,000 pcs/ bag
- Accepts terminal: 1253-T-T-S
- Mate with: 1253-SMTR-xxP



### Ordering Information and Dimensions

| CIRCUITS | PART NO.   | DIMENSION |       | CIRCUITS | PART NO.   | DIMENSION |       |
|----------|------------|-----------|-------|----------|------------|-----------|-------|
|          |            | A         | B     |          |            | A         | B     |
| 2        | 1253-H-02P | 1.25      | 4.45  | 9        | 1253-H-09P | 10.00     | 13.20 |
| 3        | 1253-H-03P | 2.50      | 5.70  | 10       | 1253-H-10P | 11.25     | 14.45 |
| 4        | 1253-H-04P | 3.75      | 6.95  | 15       | 1253-H-15P | 17.50     | 20.70 |
| 5        | 1253-H-05P | 5.00      | 8.20  | 20       | 1253-H-20P | 23.75     | 26.95 |
| 6        | 1253-H-06P | 6.25      | 9.45  | 25       | 1253-H-25P | 30.00     | 33.20 |
| 7        | 1253-H-07P | 7.50      | 10.70 | 30       | 1253-H-30P | 36.25     | 39.45 |
| 8        | 1253-H-08P | 8.75      | 11.95 |          |            |           |       |