

1.25mm .049" Center Wire to Board Connector



1253 Series

■ WAFER

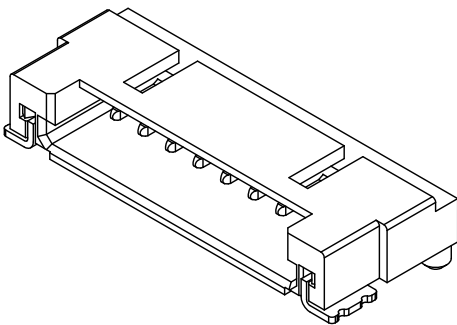
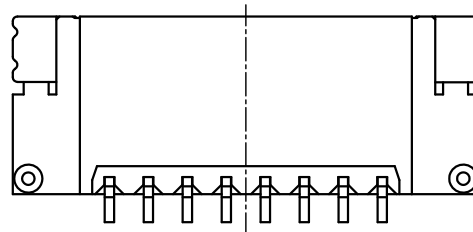
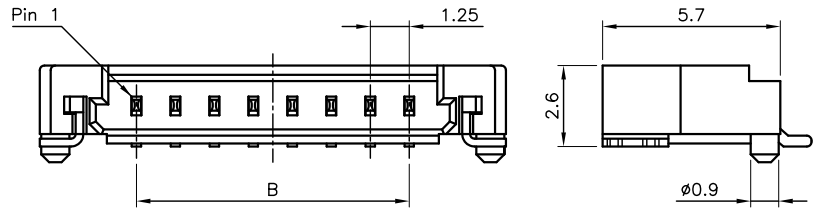
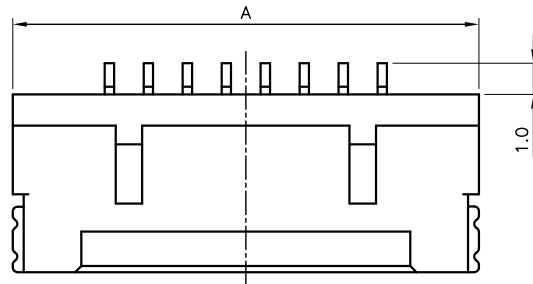
• Part No.: 1253-SMTR-xxP

Specifications

- Electrical
- Voltage Rating: 100V AC, DC
- Current Rating: 1A
- Withstanding Voltage: 500V AC/ minute.
- Insulation Resistance: 500MΩ Min
- Contact Resistance: 30mΩ Max
- Mates with: 1253-H-xxP

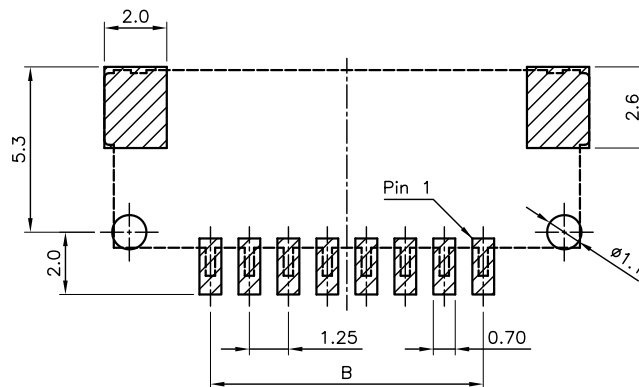
Material

- Circuits: 2~10, 15, 20, 25, 30
- Housing: Nylon 66, UL 94V-0
- Terminal: Brass, Tin plated
- Fitting: Brass, Tin plated
- Temperature Range: -25~+85°C



Ordering Information and Dimensions

CIRCUITS	PART NO.	DIMENSION	
		A	B
2	1253-SMTR-02P	7.45	1.25
3	1253-SMTR-03P	8.70	2.50
4	1253-SMTR-04P	9.95	3.75
5	1253-SMTR-05P	11.20	5.00
6	1253-SMTR-06P	12.45	6.25
7	1253-SMTR-07P	13.70	7.50
8	1253-SMTR-08P	14.95	8.75
9	1253-SMTR-09P	16.20	10.00
10	1253-SMTR-10P	17.45	11.25
15	1253-SMTR-15P	23.70	17.50
20	1253-SMTR-20P	29.95	23.75
25	1253-SMTR-25P	36.20	30.00
30	1253-SMTR-30P	42.45	36.25



PCB PATTREN LAYOUT