

1.25mm .049" Center Wire to Board Connector

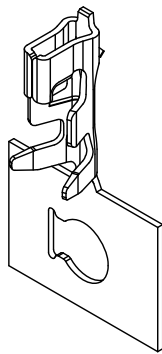
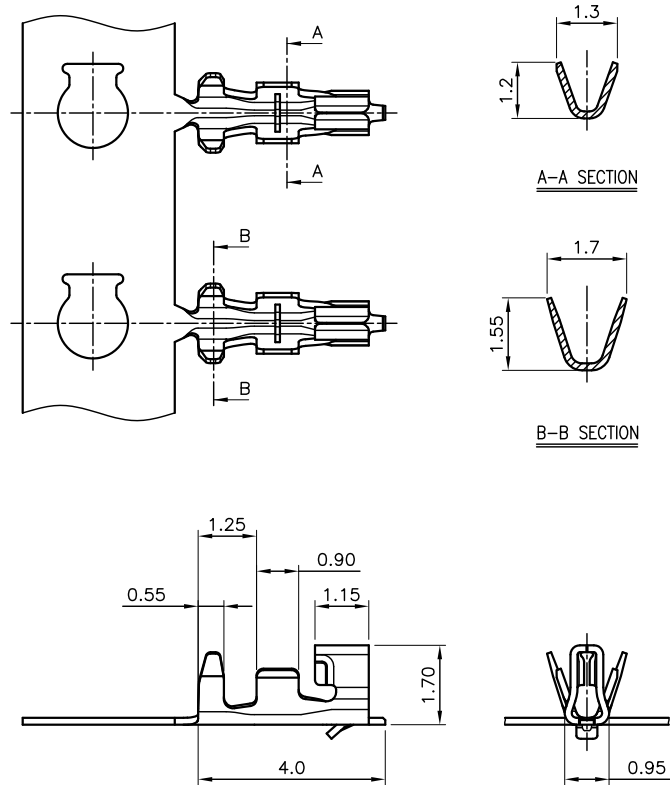


1251 Series

■ TERMINAL

• Part No.: 1251-T-T-S

- Material: Phosphor Bronze
- Thickness: 0.15mm
- Plating: Tin plated
- Applicable Wire: AWG#28~32
- Insulation O.D: 0.90mm (Max)
- Q'TY : 10,000 pcs/ reel
- Accepts housing: 1251-H-xxP

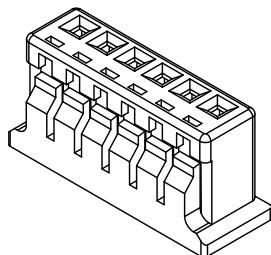
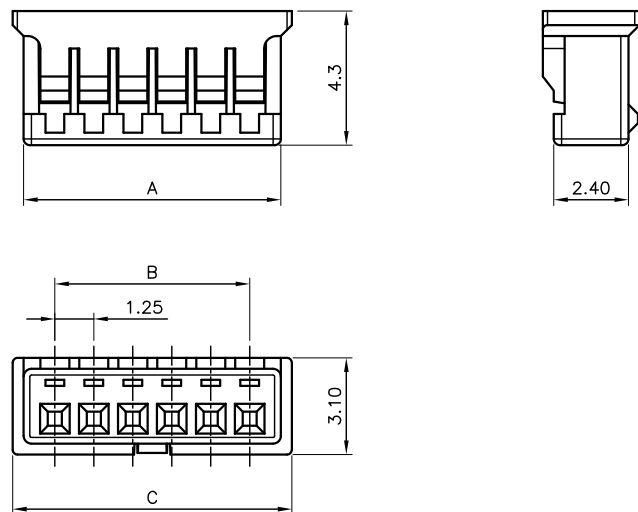


1251 Series

■ HOUSING

• Part No.: 1251-H-xxP

- Material: Nylon 66, UL 94V-0
- Pitch: 1.25mm (.049")
- Circuits: 2~15
- Q'TY : 1,000 pcs/ bag
- Accepts terminal: 1251-T-T-S



Ordering Information and Dimensions

CIRCUITS	PART NO.	DIMENSION			CIRCUITS	PART NO.	DIMENSION		
		A	B	C			A	B	C
2	1251-H-02P	3.25	1.25	3.95	9	1251-H-09P	12.00	10.00	12.70
3	1251-H-03P	4.50	2.50	5.20	10	1251-H-10P	13.25	11.25	13.95
4	1251-H-04P	5.75	3.75	6.45	11	1251-H-11P	14.50	11.25	15.20
5	1251-H-05P	7.00	5.00	7.70	12	1251-H-12P	15.75	23.75	16.45
6	1251-H-06P	8.25	6.25	8.95	13	1251-H-13P	17.00	30.00	17.70
7	1251-H-07P	9.50	7.50	10.20	14	1251-H-14P	18.25	36.25	18.95
8	1251-H-08P	10.75	8.75	11.45	15	1251-H-15P	19.50	17.50	20.20