

# 1.00mm .039" Center Wire to Board Connector

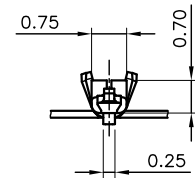
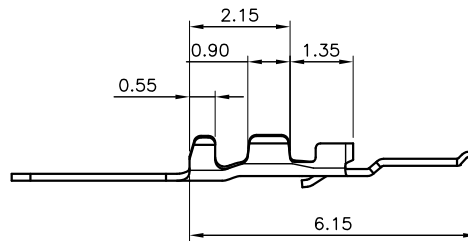
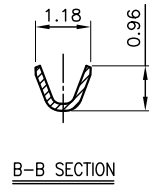
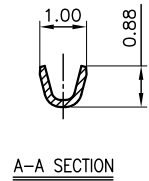
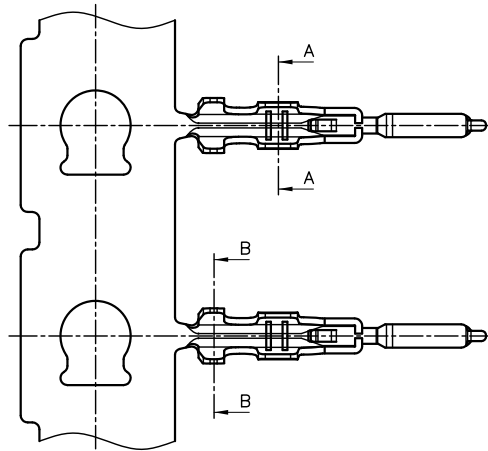
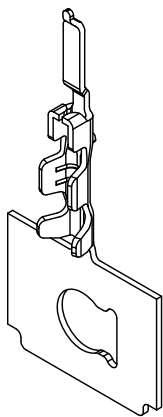


## 1058 Series

### ■ TERMINAL

• Part No.: 1058-G-P-E (簡易型)

- Material: Phosphor Bronze
- Thickness: 0.15mm
- Plating: Gold plated
- Applicable Wire: AWG#28~32
- Insulation O.D: 0.75mm (Max)
- Q'TY : 15,000 pcs/ reel
- Accepts housing: 1058-H-xxP  
1058-HNA-xxP  
1058-HL-xxP  
1058-EH-xxP  
1058-EHL-xxP

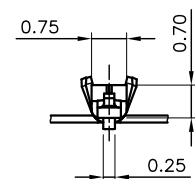
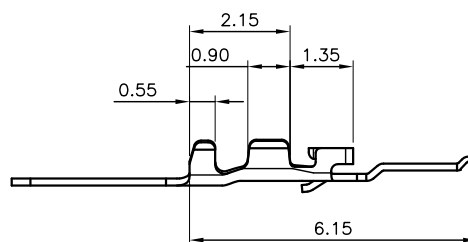
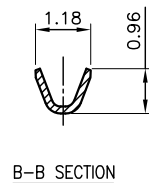
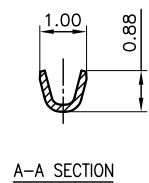
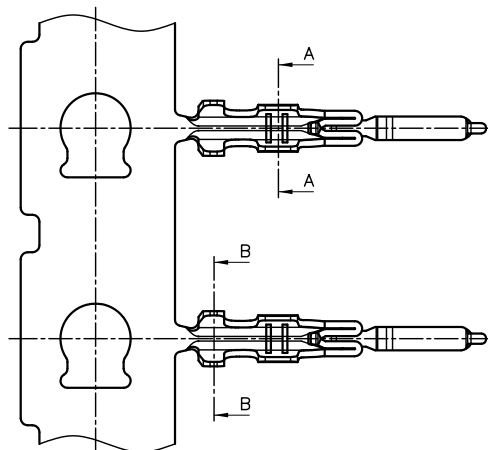
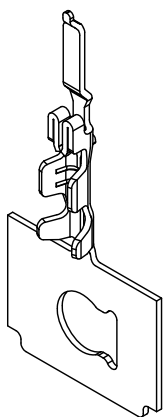


## 1058 Series

### ■ TERMINAL

• Part No.: 1058-G-P (一般型)

- Material: Phosphor Bronze
- Thickness: 0.15mm
- Plating: Gold plated
- Applicable Wire: AWG#28~32
- Insulation O.D: 0.75mm (Max)
- Q'TY : 15,000 pcs/ reel
- Accepts housing: 1058-H-xxP  
1058-HNA-xxP  
1058-HL-xxP  
1058-EH-xxP  
1058-EHL-xxP



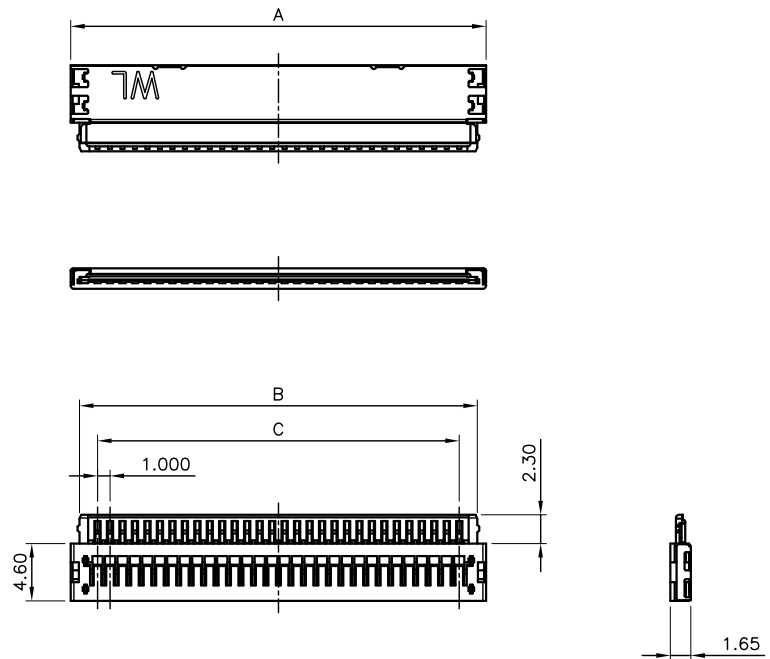
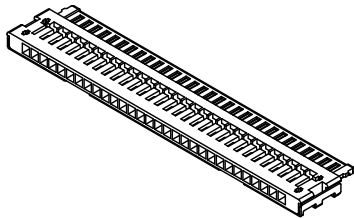
# 1.00mm .039" Center Wire to Board Connector



## 1058 Series

### HOUSING

- Part No.: 1058-H-xxP (半封型)  
1058-HNA-xxP (全封型)
- Material:
- Housing : Nylon 46, UL 94V-0
- Shell : Copper alloy, Nickel plated
- Pitch: 1.00mm (.039")
- Circuits: 20, 30
- Q'TY : 200 pcs/ bag
- Accepts terminal: 1058-G-P  
1058-G-P-E
- Mates with : 1058-SMTR-xxP



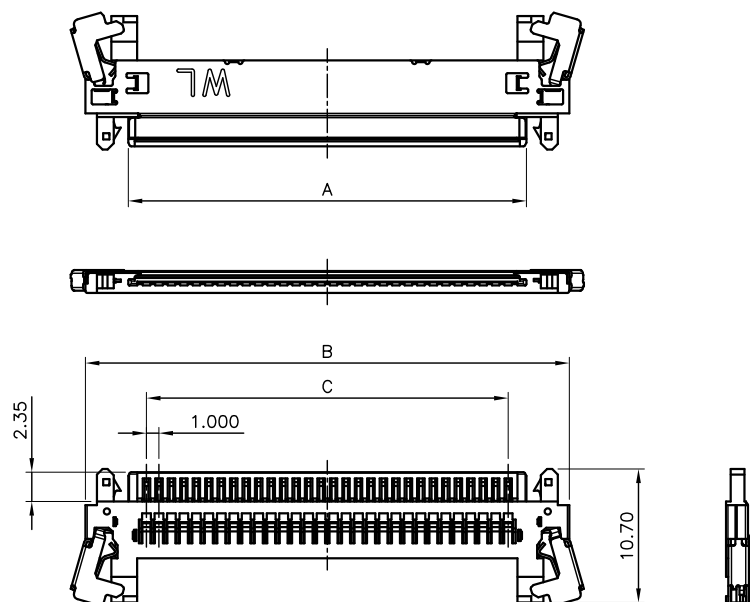
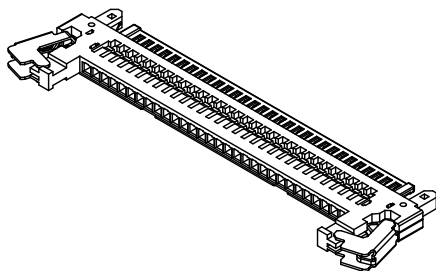
### Ordering Information and Dimensions

CIRCUITS	PART NO.	DIMENSION		
		A	B	C
20	1058-Hxx-20P	23.3	21.90	19.00
30	1058-Hxx-30P	33.3	31.90	29.00

## 1058 Series

### HOUSING

- Part No.: 1058-HL-xxP (半封型)  
1058-HLA-xxP (全封型)
- Material:
- Housing : Nylon 46, UL 94V-0
- Shell : Phosphor bronze, Nickel plated
- Spring : Stainless steel
- Pitch: 1.00mm (.039")
- Circuits: 30
- Q'TY : 200 pcs/ bag
- Accepts terminal: 1058-G-P  
1058-G-P-E
- Mates with : 1058-SMTR-xxP



### Ordering Information and Dimensions

CIRCUITS	PART NO.	DIMENSION		
		A	B	C
30	1058-HLx-30P	31.92	38.80	29.00