

1.00mm .039" Center Wire to Board Connector



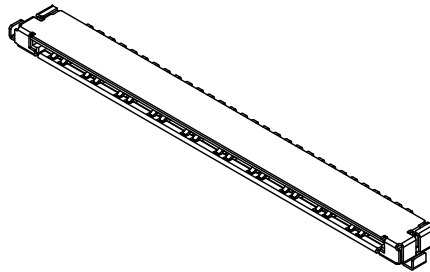
1058 Series

■ WAFER

- Part No.: 1058-SMTR-xxP

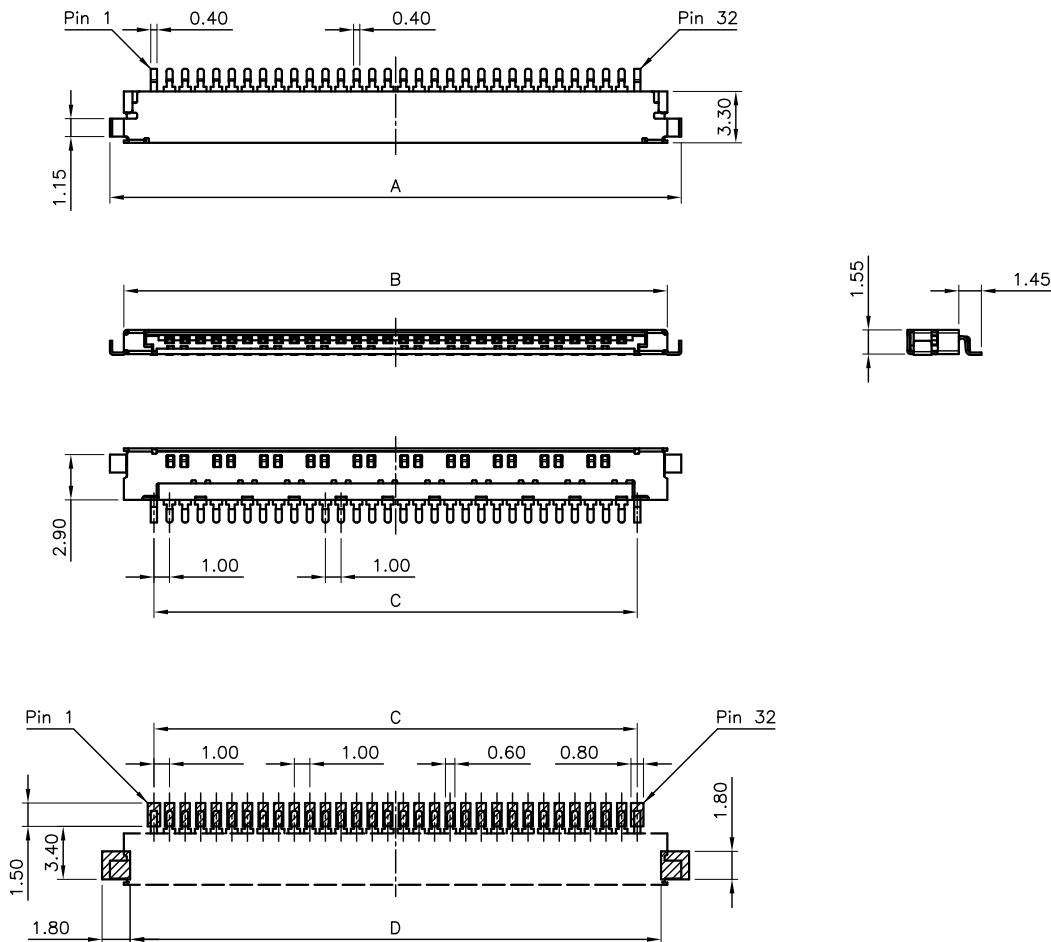
Specifications

- Electrical
- Voltage Rating: 200V AC, DC
- Current Rating: 1A
- Withstanding Voltage: 500V AC/ minute.
- Insulation Resistance: 100MΩ Min
- Contact Resistance: 40mΩ Max
- Mates with: 1058-H-xxP, 1058-HNA-xxP



Material

- Housing: Thermal Plastic, UL 94V-0
- Color: Nature
- Contact: Phosphor bronze, Gold plated
- Shell: Phosphor bronze, Tin plated
- Temperature Range: -25~+85°C



PCB PATTREN LAYOUT

Ordering Information and Dimensions

CIRCUITS	PART NO.	DIMENSION			
		A	B	C	D
20	1058-SMTR-20P	26.65	24.85	21.00	24.05
30	1058-SMTR-30P	36.65	34.85	31.00	34.05