

1.00mm .039" Center Wire to Board Connector



1058 Series

■ WAFER

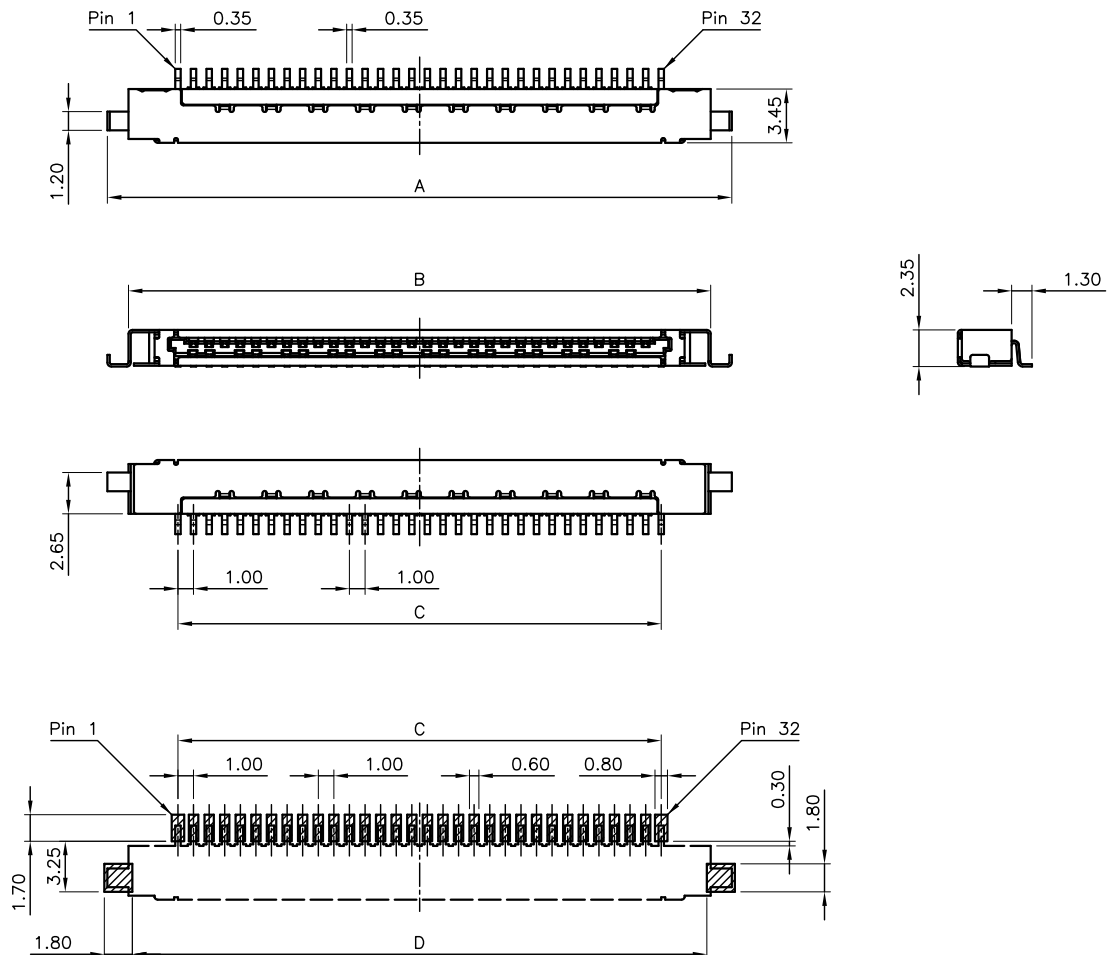
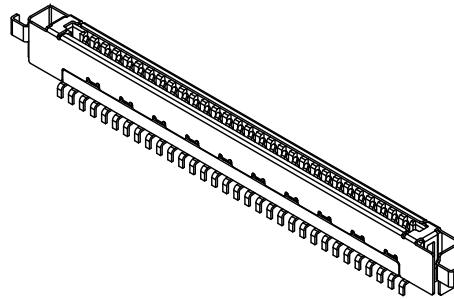
- Part No.: 1058-HL-SMTR-xxP

Specifications

- Electrical
- Voltage Rating: 200V AC, DC
- Current Rating: 1A
- Withstanding Voltage: 500V AC/ minute.
- Insulation Resistance: 100MΩ Min
- Contact Resistance: 40mΩ Max
- Mates with: 1058-HL-xxP

Material

- Housing: Thermal Plastic, UL 94V-0
- Color: Nature
- Contact: Phosphor bronze, Gold plated
- Fitting: Phosphor bronze, Tin plated
- Shell: Phosphor bronze, Gold plated
- Temperature Range: -40~+80°C



PCB PATTREN LAYOUT

Ordering Information and Dimensions

CIRCUITS	PART NO.	DIMENSION			
		A	B	C	D
30	1058-HL-SMTR-30P	40.05	37.35	31.00	36.85