

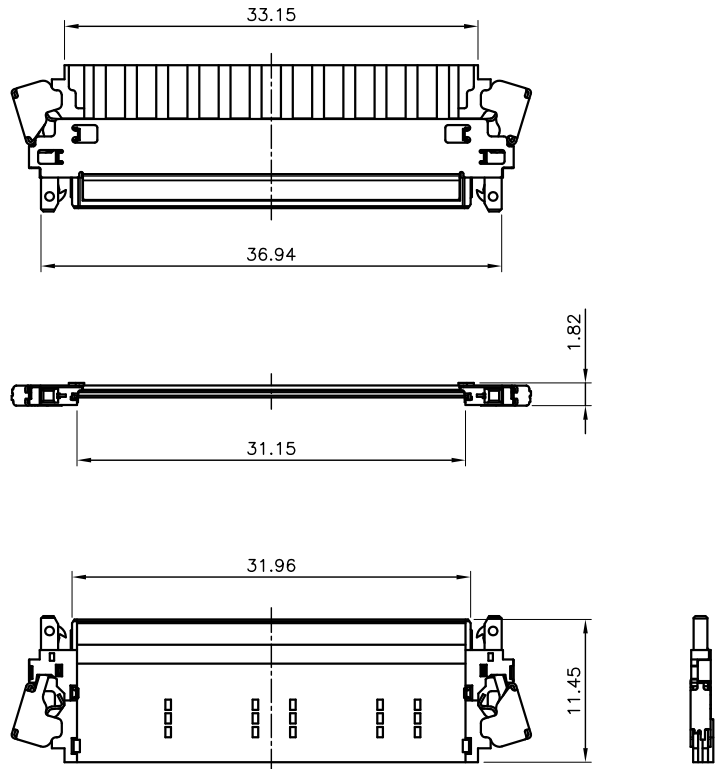
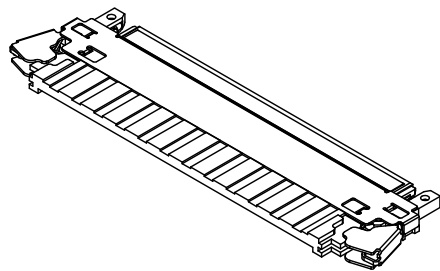
1.00mm .039" Center Wire to Board Connector



1058 Series

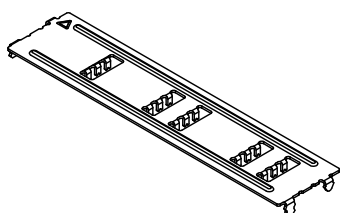
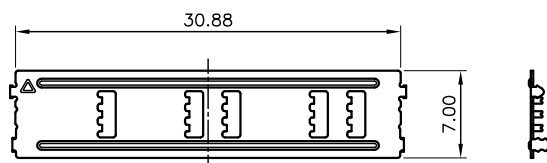
■ HOUSING

- Part No.: 1058-FFC-30P
- Material:
- Housing : LCP, UL 94V-0
- Ground Plate: Stainless steel
- Lock spring: Stainless steel
- Pitch: 1.00mm (.039")
- Q'TY : 500 pcs/ bag
- Mates with : 1058-SMTR-30P



■ GROUND TYPE

- Part No.: BFC30S-9703
- #7,#14,#17,#24,#27 Pin, Lock Type
- Material: Stainless steel
- Thickness: 0.20 mm
- Q'TY: 500 pcs/ bag
- Mates with : 1058-FFC-30P



■ LOCK TYPE

Part No.: BFC30S-9704

- Material: Stainless steel
- Thickness: 0.20 mm
- Q'TY: 500 pcs/ bag
- Mates with : 1058-FFC-30P

