

1.00mm .039" Center Wire to Board Connector

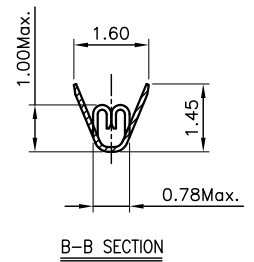
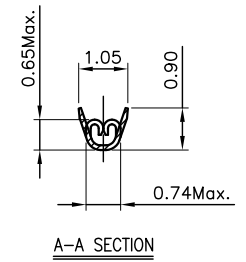
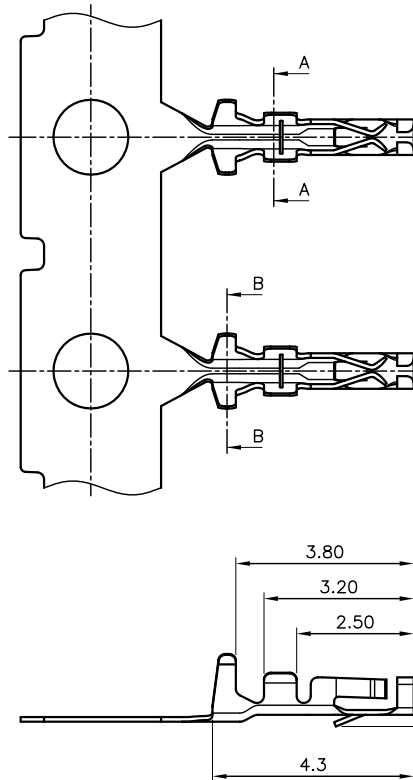
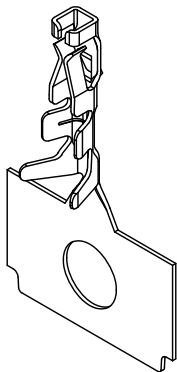


1052 Series

■ TERMINAL

Part No.: 1052-G-P

Material: Phosphor Bronze
 Thickness: 0.1mm
 Plating: Gold plated
 Applicable Wire: AWG#28~32
 Insulation O.D: 0.80mm (Max)
 Q'TY : 15,000 pcs/ reel
 Accepts housing: 1052-H-2×xxP
 1071-H-2×xxP
 1072-H-2×xxP

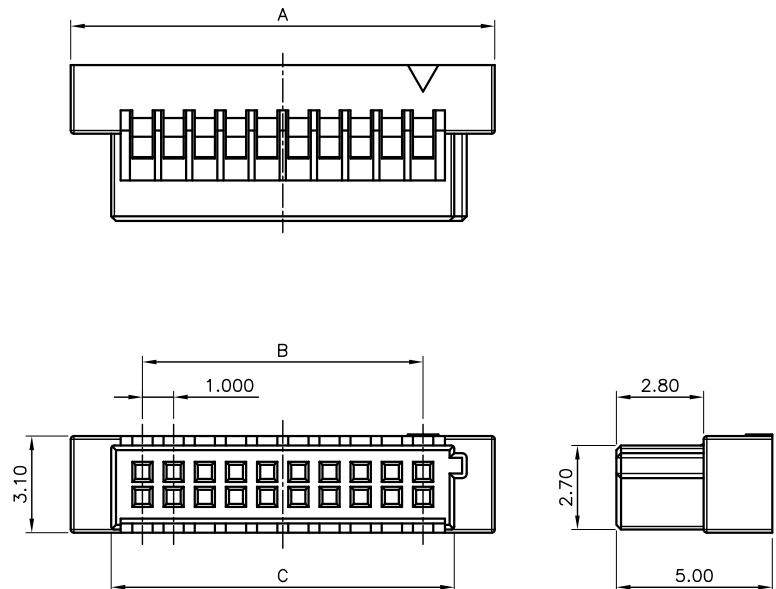
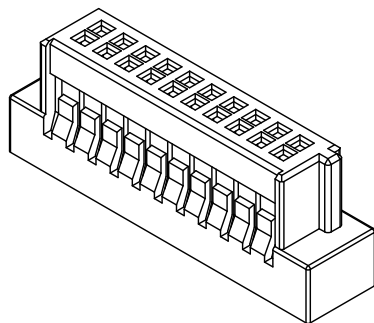


1052 Series

■ HOUSING

Part No.: 1052-H-2×xxP

Material: Nylon 46, UL 94V-0
 Pitch: 1.00mm (.039")
 Circuits: 20, 30, 40, 50
 Q'TY : 1,000 pcs/ bag
 Accepts terminal: 1052-G-P



Ordering Information and Dimensions

CIRCUITS	PART NO.	DIMENSION		
		A	B	C
20	1052-H-2×10P	13.60	9.00	11.00
30	1052-H-2×15P	18.60	14.00	16.00
40	1052-H-2×20P	23.60	19.00	21.00
50	1052-H-2×25P	28.60	24.00	26.00

1.00mm .039" Center Wire to Board Connector



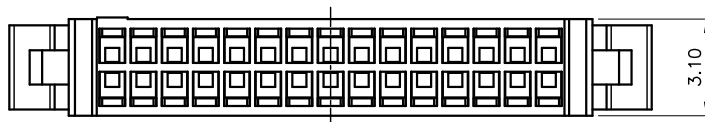
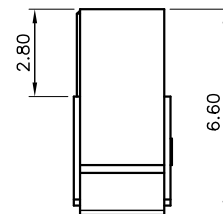
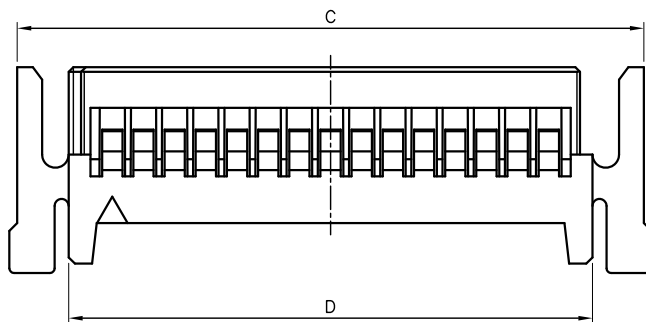
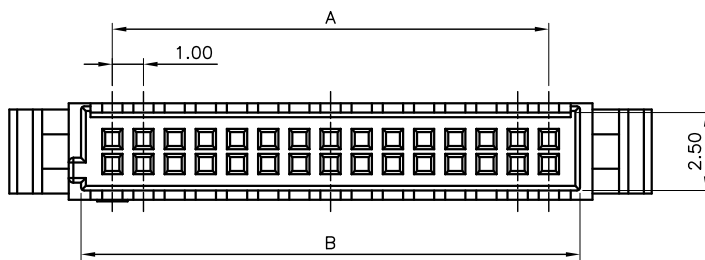
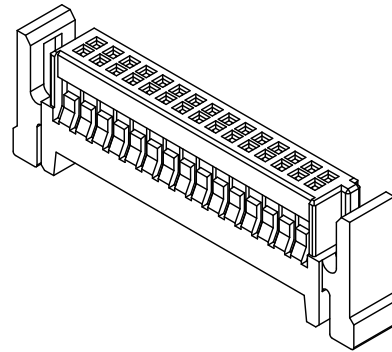
1052 Series

HOUSING

Part No.: 1052-HL-2×xxP

Material

Housing: Nylon 46, UL 94V-0
 Pitch: 1.00mm (.039")
 Circuits: 20, 30, 40, 50
 Q'TY : 1,000 pcs/ bag
 Accepts terminal: 1052-G-P
 1052-T-T-S
 Mate with: 1052-SMTR-xxP



Ordering Information and Dimensions

CIRCUITS	PART NO.	DIMENSION			
		A	B	C	D
20	1052-HL-2×10P	9.00	11.00	15.1	11.8
30	1052-HL-2×15P	14.00	16.00	20.1	16.8
40	1052-HL-2×20P	19.00	21.00	25.1	21.8
50	1052-HL-2×25P	24.00	26.00	30.1	26.8