

1.00mm .039" Center Wire to Board Connector



1052 Series

■ WAFER

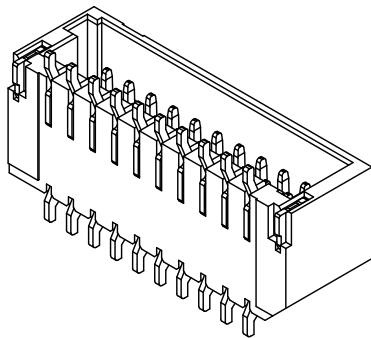
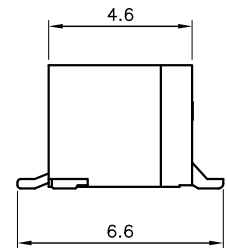
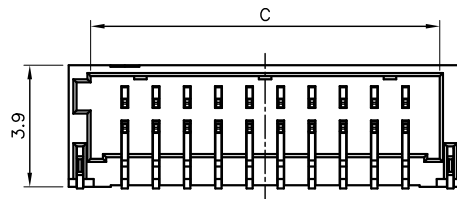
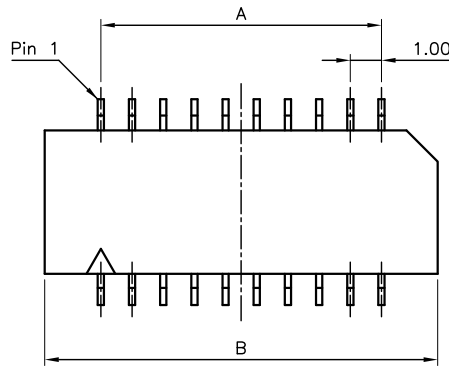
• Part No.: 1052-SMTR-2×xxP

Specifications

- Electrical
- Voltage Rating: 50V AC, DC
- Current Rating: 1A AC, DC
- Withstanding Voltage: 250V AC/ minute.
- Insulation Resistance: 100MΩ Min
- Contact Resistance: 20mΩ Max
- Mates with: 1052-H-2×xxP

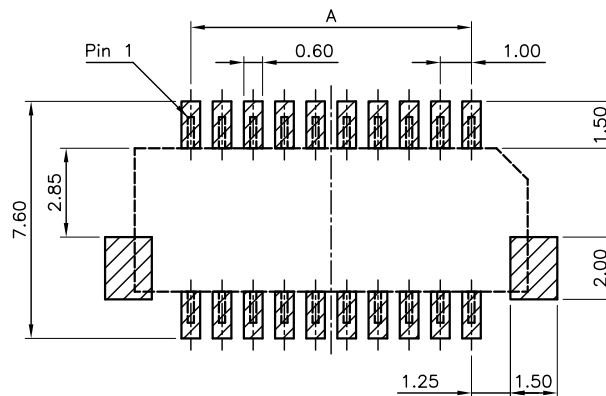
Material

- Circuits: 20, 30, 40, 50
- Housing: Thermal Plastic, UL 94V-0
- Terminal: Copper Alloy, Gold plated
- Fitting: Copper Alloy, Gold plated
- Temperature Range: -25~+65°C



Ordering Information and Dimensions

CIRCUITS	PART NO.	DIMENSION		
		A	B	C
20	1052-SMTR-2×10P	9.0	12.6	11.2
30	1052-SMTR-2×15P	14.0	17.6	16.2
40	1052-SMTR-2×20P	19.0	22.6	21.2
50	1052-SMTR-2×25P	24.0	27.6	26.2



PCB PATTREN LAYOUT