

# 1.25mm .049" Center Wire to Board Connector

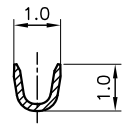
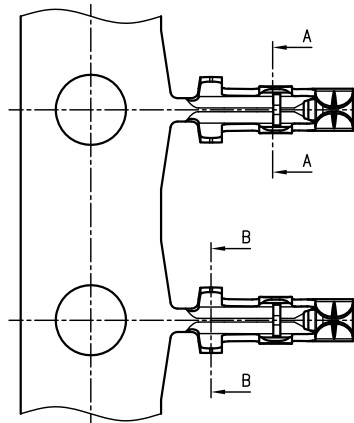
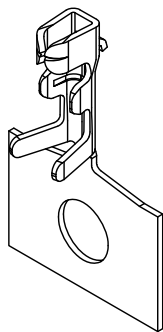


## 1025 Series

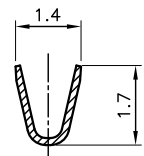
### ■ TERMINAL

• Part No.: 1025-G-P  
1025-T-T-S

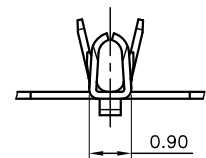
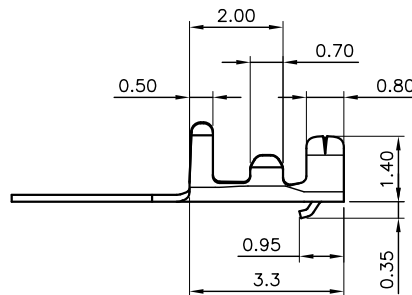
- Material: Phosphor bronze
- Thickness: 0.15mm
- Plating: Gold plated, Tin plated
- Applicable Wire: AWG#28~32
- Insulation O.D: 0.90mm (Max)
- Q'TY : 10,000 pcs/ reel
- Accepts housing: 1025-H-xxP



A-A SECTION



B-B SECTION

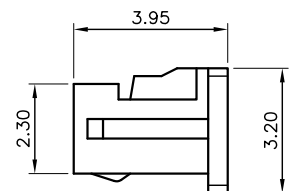
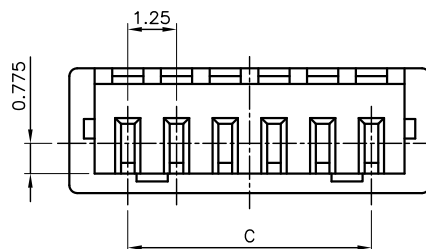
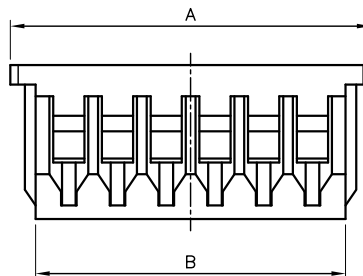
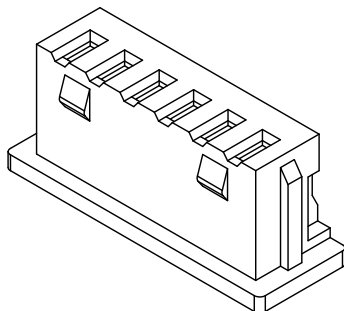


## 1025 Series

### ■ HOUSING

• Part No.: 1025-H-xxP

- Material: Nylon 66, UL 94V-0
- Pitch: 1.25mm (.049")
- Circuits: 2~15
- Q'TY : 1,000 pcs/ bag
- Accepts terminal: 1025-G-P  
1025-T-T-S



### Ordering Information and Dimensions

CIRCUITS	PART NO.	DIMENSION		
		A	B	C
2	1025-H-02P	4.25	2.95	1.25
3	1025-H-03P	5.50	4.20	2.50
4	1025-H-04P	6.75	5.45	3.75
5	1025-H-05P	8.00	6.70	5.00
6	1025-H-06P	9.25	7.95	6.25
7	1025-H-07P	10.50	9.20	7.50
8	1025-H-08P	11.75	10.45	8.75

CIRCUITS	PART NO.	DIMENSION		
		A	B	C
9	1025-H-09P	13.00	11.70	10.00
10	1025-H-10P	14.25	12.95	11.25
11	1025-H-11P	15.50	14.20	12.50
12	1025-H-12P	16.75	15.45	13.75
13	1025-H-13P	18.00	16.70	15.00
14	1025-H-14P	19.25	17.95	16.25
15	1025-H-15P	20.50	19.20	17.50