

1.00mm .039" Center Wire to Board Connector



1019 Series

■ WAFER

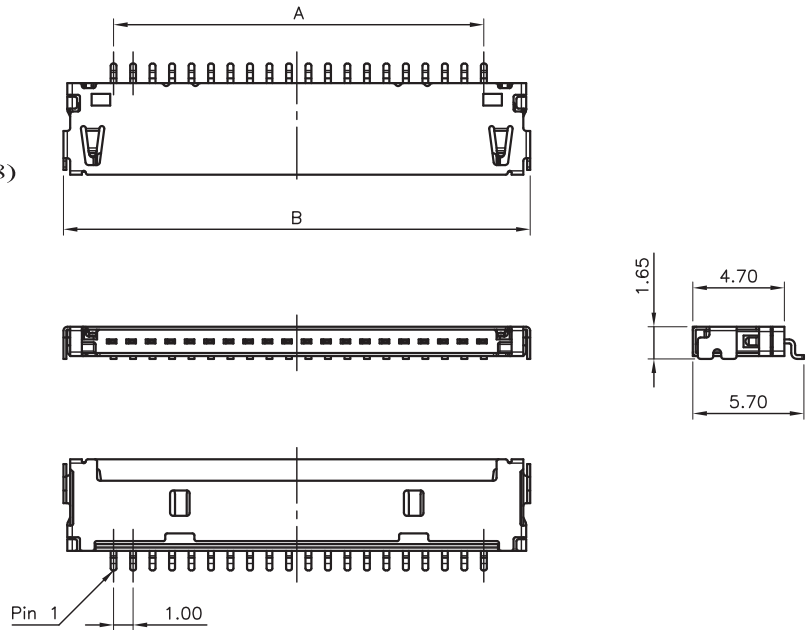
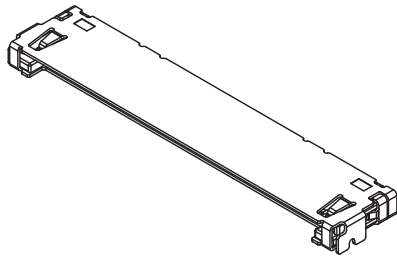
Part No.: 1019-SMTR-xxP

Specifications

Electrical
 Voltage Rating: 50V AC, DC
 Current Rating: 1A AC, DC (AWG#28)
 Withstanding Voltage: 150V AC/ minute.
 Insulation Resistance: 500MΩ Min
 Contact Resistance: 30mΩ Max
 Mates with: 1019-H-xxP

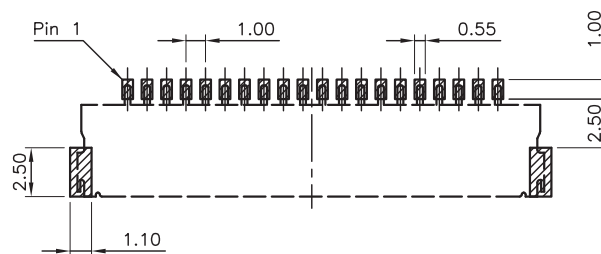
Material

Circuits: 14, 20, 30
 Housing: Thermal Plastic, UL 94V-0
 Terminal: Copper Alloy, Gold plated
 Shield: Copper Alloy, Tin plated
 Temperature Range: -25~+85°C



Ordering Information and Dimensions

CIRCUITS	PART NO.	DIMENSION	
		A	B
14	1019-SMTR-14P	13.00	18.0
20	1019-SMTR-20P	19.00	24.0
30	1019-SMTR-30P	29.00	34.0



PCB PATTREN LAYOUT