

1.00mm .039" Center Wire to Board Connector

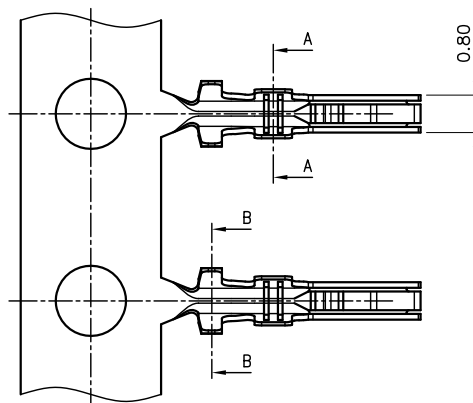
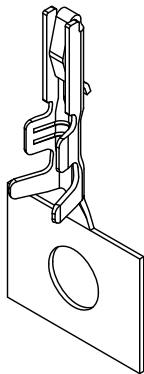


1018 Series

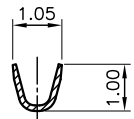
■ TERMINAL

• Part No.: 1018-G-P
1018-T-T-S

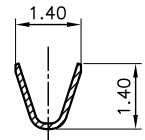
- Material: Phosphor Bronze
- Thickness: 0.12mm
- Plating: Gold plated, Tin plated
- Applicable Wire: AWG#28~32
- Insulation O.D: 0.75mm (Max)
- Q'TY : 15,000 pcs/ reel
- Accepts housing: 1018-H-xxP



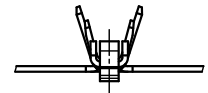
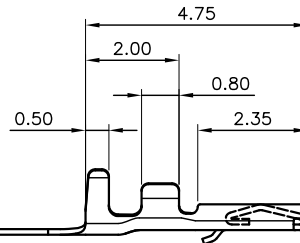
0.80



A-A SECTION



B-B SECTION

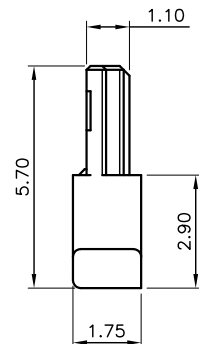
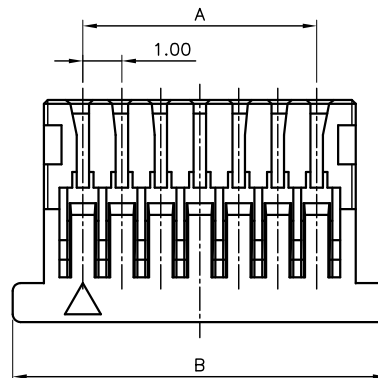
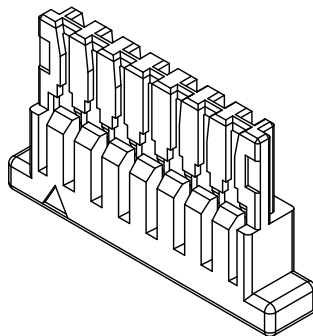
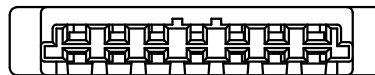


1018 Series

■ HOUSING

• Part No.: 1018-H-xxP

- Material: Nylon 66, UL 94V-0
- Pitch: 1.00mm (.039")
- Circuits: 2~30
- Q'TY : 1,000 pcs/ bag
- Accepts terminal: 1018-G-P
1018-T-T-S
- Mate with: 1018-SMTR-xxP



Ordering Information and Dimensions

CIRCUITS	PART NO.	DIMENSION	
		A	B
2	1018-H-02P	1.00	4.60
6	1018-H-06P	5.00	8.60
7	1018-H-07P	6.00	9.60
14	1018-H-14P	13.00	16.60
16	1018-H-16P	15.00	18.60

CIRCUITS	PART NO.	DIMENSION	
		A	B
20	1018-H-20P	19.00	22.60
22	1018-H-22P	21.00	24.60
26	1018-H-26P	25.00	28.60
30	1018-H-30P	29.00	32.60

1.00mm .039" Center Wire to Board Connector



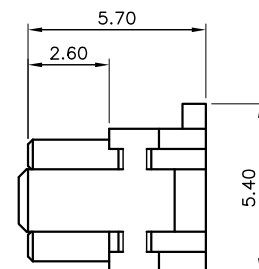
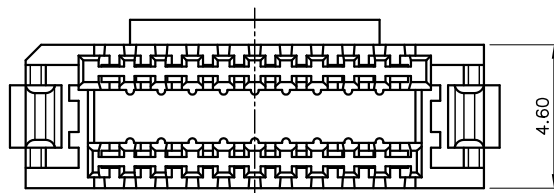
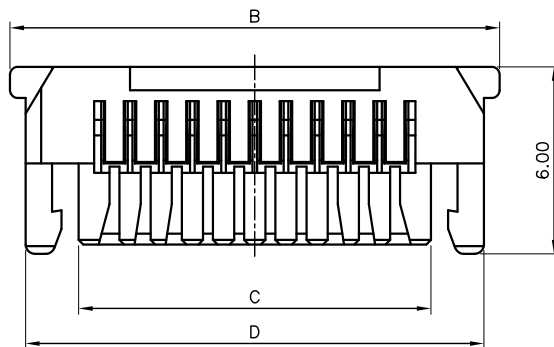
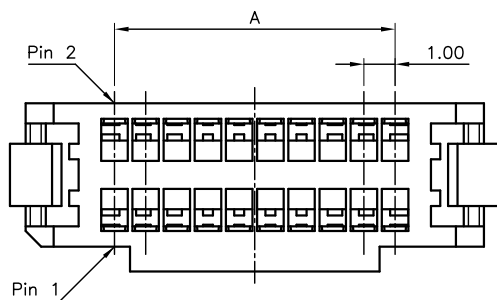
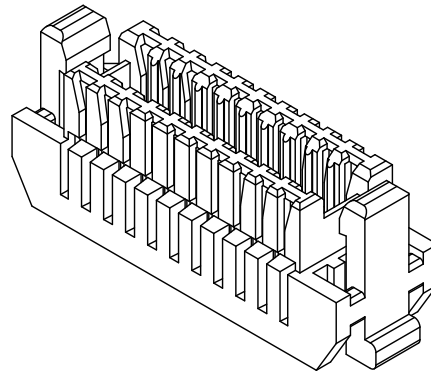
1018 Series

HOUSING

Part No.: 1018-H-2×xxP

Material

Housing: Nylon 66, UL 94V-0
 Pitch: 1.00mm (.039")
 Circuits: 20, 30, 40, 50
 Q'TY : 1,000 pcs/ bag
 Accepts terminal: 1018-G-P
 1018-T-T-S
 Mate with: 1018-SMTR-xxP



Ordering Information and Dimensions

CIRCUITS	PART NO.	DIMENSION			
		A	B	C	D
20	1018-H-2×10P	9.00	15.7	11.30	14.7
30	1018-H-2×15P	14.00	20.7	16.30	19.7
40	1018-H-2×20P	19.00	25.7	21.30	24.7
50	1018-H-2×25P	24.00	30.7	26.30	29.7

1.00mm .039" Center Wire to Board Connector



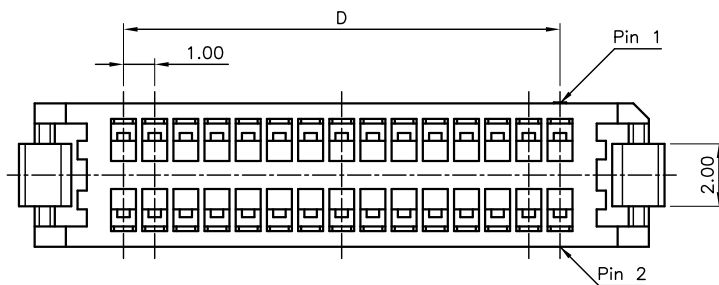
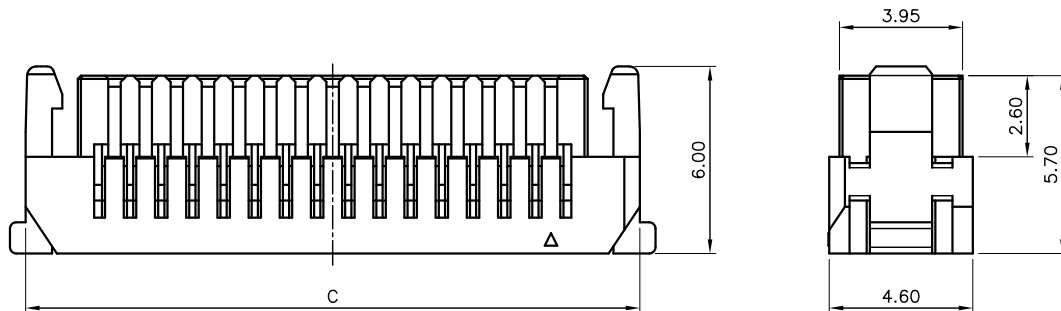
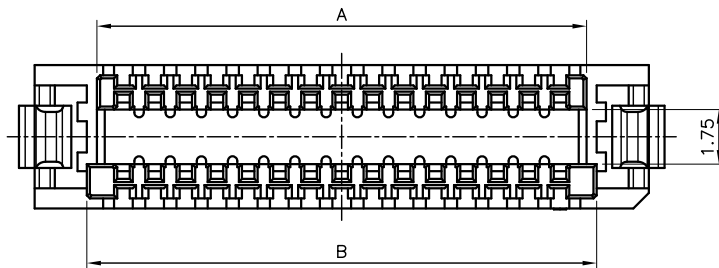
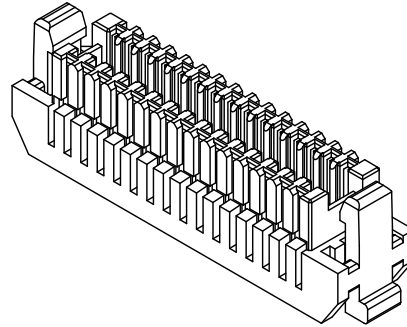
1018 Series

HOUSING

Part No.: 1018-HL-2×xxP

Material

Housing: Nylon 66, UL 94V-0
 Pitch: 1.00mm (.039")
 Circuits: 12, 20, 30, 40, 50
 Q'TY : 1,000 pcs/ bag
 Accepts terminal: 1018-G-P
 1018-T-T-S
 Mate with: 1018-SMTR-xxP



Ordering Information and Dimensions

CIRCUITS	PART NO.	DIMENSION			
		A	B	C	D
12	1018-HL-2×6P	6.70	9.00	10.70	5.00
20	1018-HL-2×10P	10.70	11.35	14.70	9.00
30	1018-HL-2×15P	15.70	16.35	19.70	14.00
40	1018-HL-2×20P	20.70	21.35	24.70	19.00
50	1018-HL-2×25P	25.70	26.35	29.70	24.00