

1.00mm .039" Center Wire to Board Connector

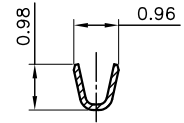
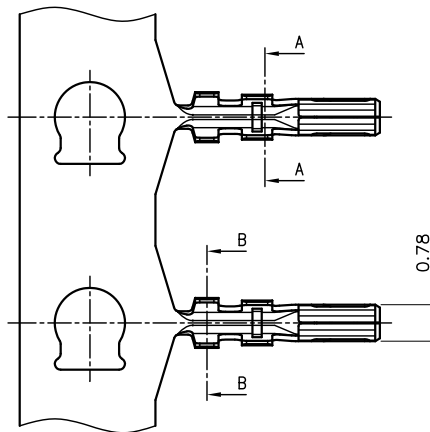
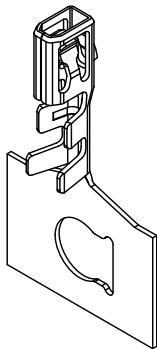


1014 Series

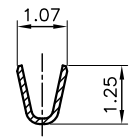
■ TERMINAL

• Part No.: 1014-G-P

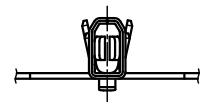
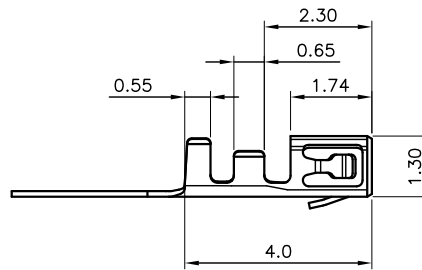
- Material: Phosphor Bronze
- Thickness: 0.12mm
- Plating: Gold plated
- Applicable Wire: AWG#28~32
- Insulation O.D: 0.80mm (Max)
- Q'TY : 15,000 pcs/ reel
- Accepts housing: 1014-H-xxP



A-A SECTION



B-B SECTION

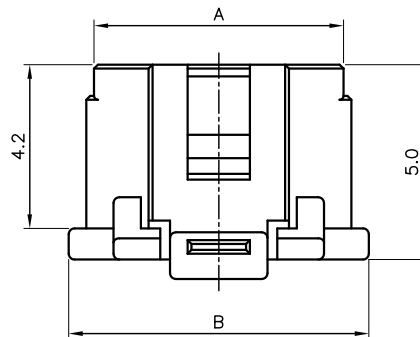
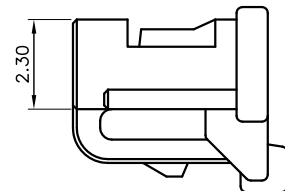
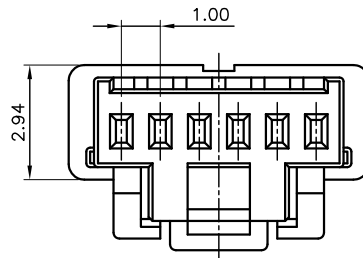
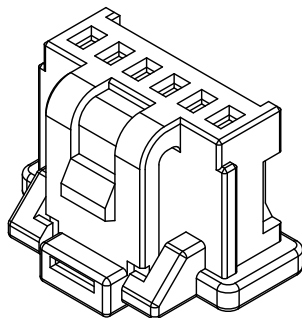


1014 Series

■ HOUSING

• Part No.: 1014-H-xxP

- Material: Nylon 66, UL 94V-0
- Pitch: 1.00mm (.039")
- Circuits: 6~15
- Q'TY : 1,000 pcs/ bag
- Accepts terminal: 1014-G-P



Ordering Information and Dimensions

CIRCUITS	PART NO.	DIMENSION	
		A	B
6	1014-H-06P	6.40	7.70
7	1014-H-07P	7.40	8.70
8	1014-H-08P	8.40	9.70
9	1014-H-09P	9.40	10.70
10	1014-H-10P	10.40	11.70

CIRCUITS	PART NO.	DIMENSION	
		A	B
11	1014-H-11P	11.40	12.70
12	1014-H-12P	12.40	13.70
13	1014-H-13P	13.40	14.70
14	1014-H-14P	14.40	15.70
15	1014-H-15P	15.40	16.70