

# 1.00mm .039" Center Wire to Board Connector

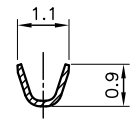
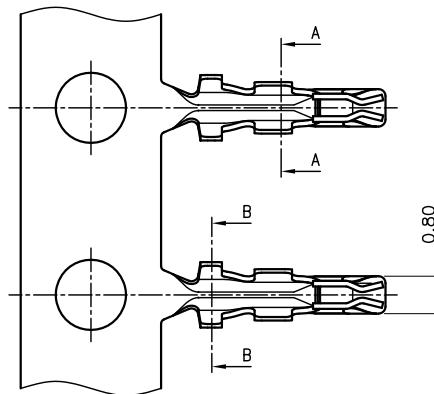


## 1013 Series

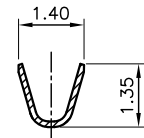
### ■ TERMINAL

• Part No.: 1013-G-P  
1013-T-T-S

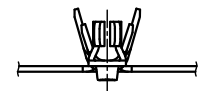
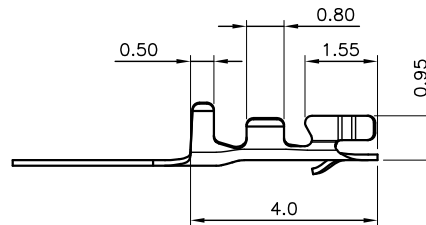
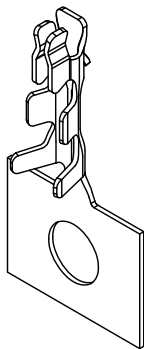
- Material: Phosphor Bronze
- Thickness: 0.12mm
- Plating: Gold plated, Tin plated
- Applicable Wire: AWG#28~32
- Insulation O.D: 0.92mm (Max)
- Q'TY : 15,000 pcs/ reel
- Accepts housing: 1013-H-xxP



A-A SECTION



B-B SECTION

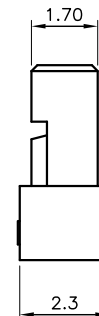
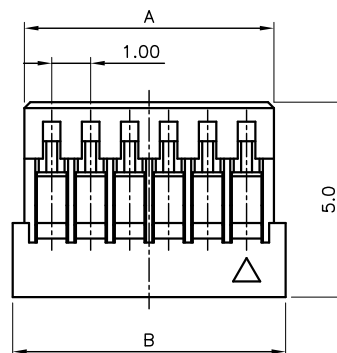
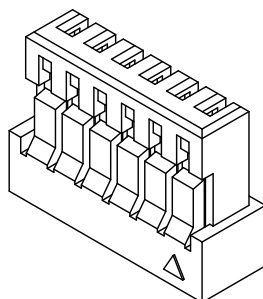
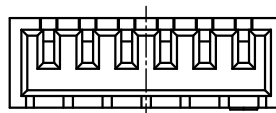


## 1013 Series

### ■ HOUSING

• Part No.: 1013-H-xxP

- Material: Nylon 66, UL 94V-0
- Pitch: 1.00mm (.039")
- Circuits: 2~20
- Q'TY : 1,000 pcs/ bag
- Accepts terminal: 1013-G-P  
1013-T-T-S



### Ordering Information and Dimensions

CIRCUITS	PART NO.	DIMENSION	
		A	B
2	1013-H-02P	2.40	3.00
3	1013-H-03P	3.40	4.00
4	1013-H-04P	4.40	5.00
5	1013-H-05P	5.40	6.00
6	1013-H-06P	6.40	7.00
7	1013-H-07P	7.40	8.00
8	1013-H-08P	8.40	9.00

CIRCUITS	PART NO.	DIMENSION	
		A	B
9	1013-H-09P	9.40	10.00
10	1013-H-10P	10.40	11.00
11	1013-H-11P	11.40	12.00
12	1013-H-12P	12.40	13.00
13	1013-H-13P	13.40	14.00
14	1013-H-14P	14.40	15.00
15	1013-H-15P	15.40	16.00

CIRCUITS	PART NO.	DIMENSION	
		A	B
16	1013-H-16P	16.40	17.00
17	1013-H-17P	17.40	18.00
18	1013-H-18P	18.40	19.00
19	1013-H-19P	19.40	20.00
20	1013-H-20P	20.40	21.00