

# 0.50mm .020" Center Wire to Board Connector



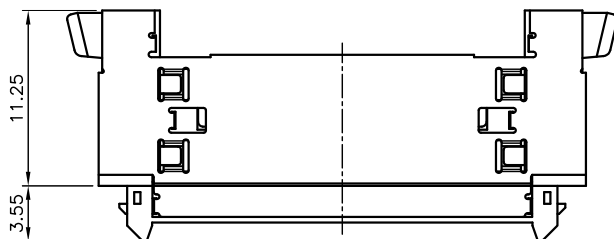
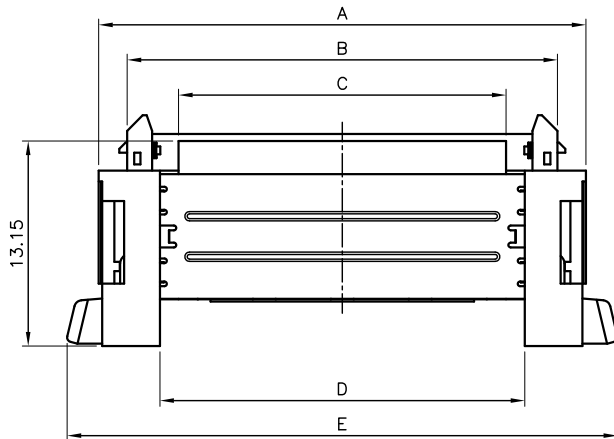
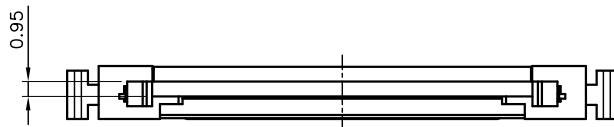
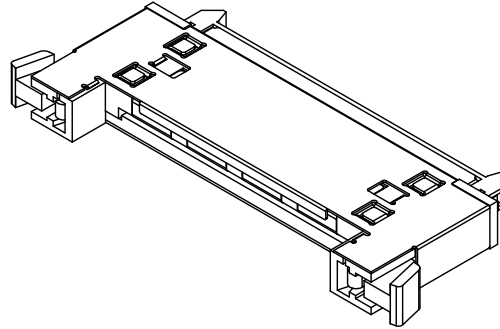
## 1005-FFC Series

### HOUSING

- Part No.: 1005-FFC-xxP
- Pitch: 0.5mm (.020")

### Material

- Housing: Thermal Plastic, UL 94V-0
- Cover: Thermal Plastic, UL 94V-0
- Lock spring: Stainless steel
- Shell: Stainless steel
- Ground plate: Stainless steel
- Mates with: 1005-SMTR-xxP



### Ordering Information and Dimensions

CIRCUITS	PART NO.	DIMENSION				
		A	B	C	D	E
41	1005-FFC-41P	31.25	27.60	21.00	23.40	35.30
51	1005-FFC-51P	36.25	32.60	26.00	28.40	40.30