

# 0.50mm .020" Center Wire to Board Connector



## 1005 Series

### ■ WAFER

Part No.: 1005-SMTR-xxP

### Specifications

Electrical

Voltage Rating: 200V AC/ DC

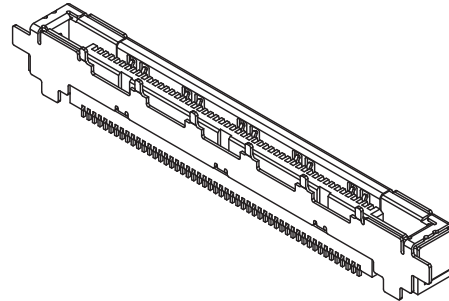
Current Rating: 0.8A

Withstanding Voltage: 500V AC/ minute

Insulation Resistance: 100MΩ Min

Contact Resistance: 50mΩ Max

Temperature Range: -40~+80°C



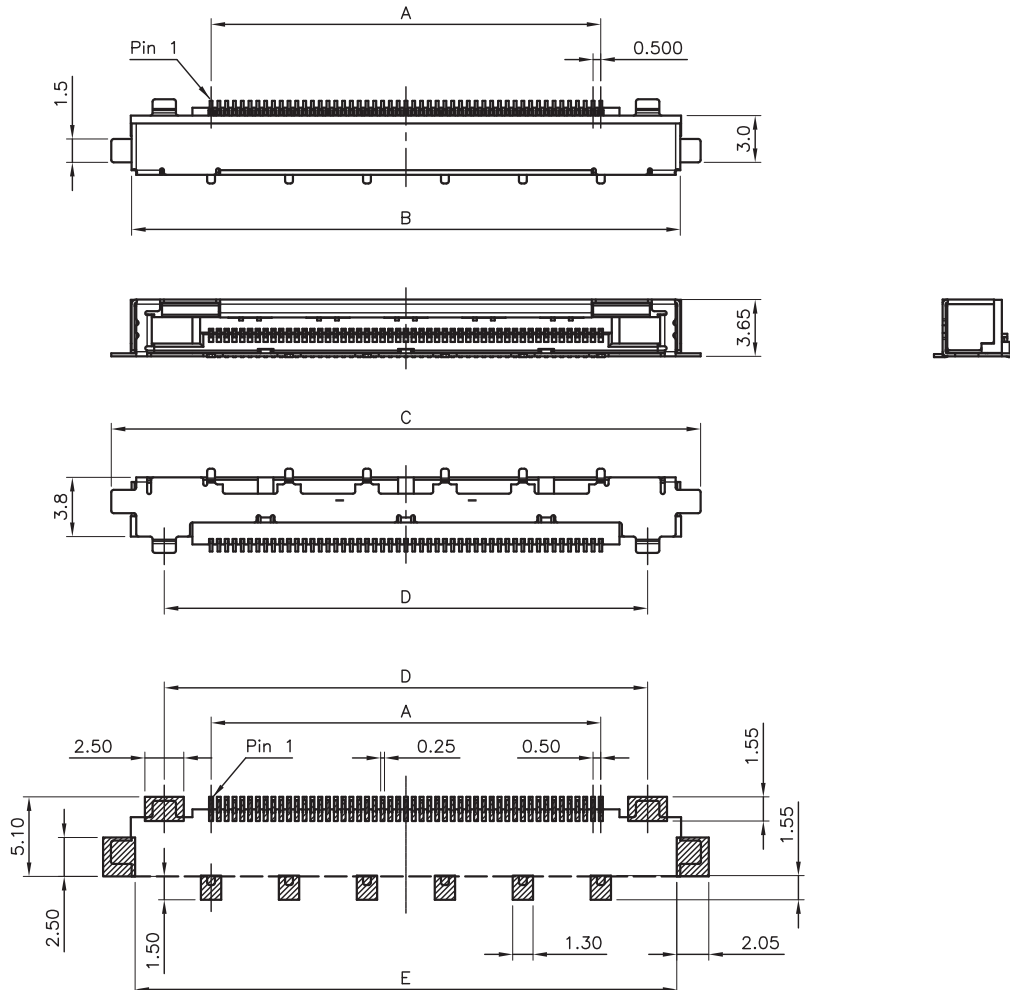
### Material

Housing: Thermal Plastic, UL 94V-0

Contact: Copper Alloy, Gold plated

Shell: Stainless Steel, Tin plated

Mates with : 1005-H-xxP



PCB PATTREN LAYOUT

### Ordering Information and Dimensions

CIRCUITS	PART NO.	DIMENSION				
		A	B	C	D	E
51	1005-SMTR-51P	25.00	35.20	37.80	31.00	34.75