

0.50mm .020" Center Wire to Board Connector



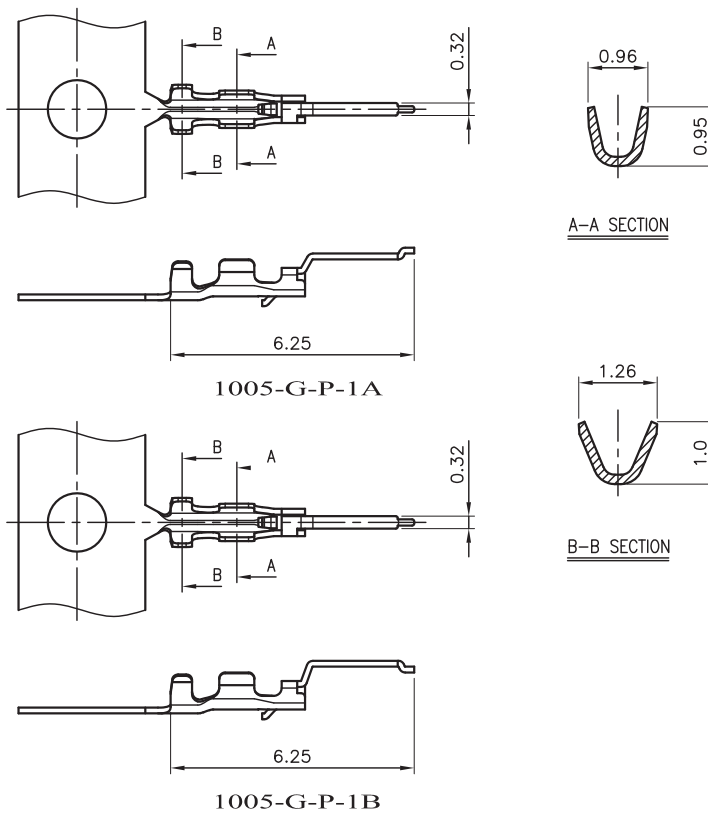
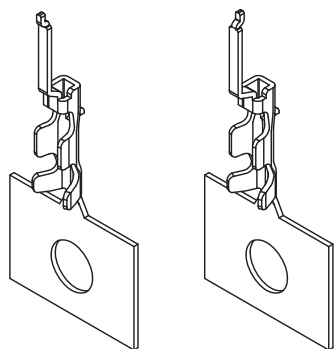
1005 Series

■ TERMINAL

Part No.: 1005-G-P-1A
1005-G-P-1B

Material

Terminal: Copper Alloy
Thickness: 0.15mm
Plating: Gold plated
Applicable Wire: AWG#30~AWG#36
Insulation O.D: 0.75mm(Max)
Q'TY : 15,000 pcs/ reel
Accepts housing: 1005-H-xxP



1005 Series

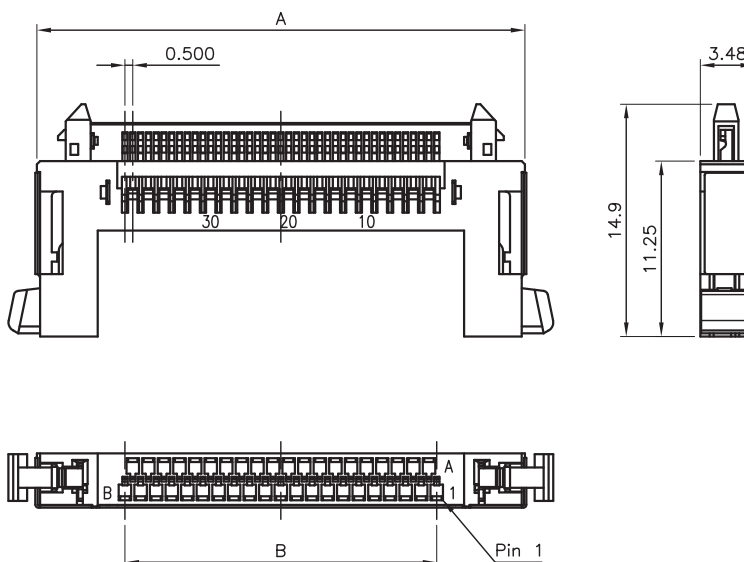
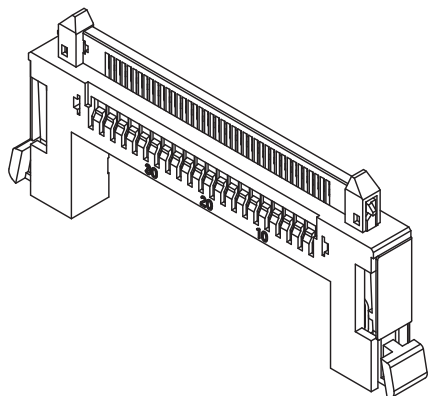
■ HOUSING

Part No.: 1005-H-xxP
Pitch: 0.5mm (.020")

Material

Housing: Thermal Plastic, UL 94V-0
Lock spring: Stainless steel
Shell: Stainless steel

Accepts terminal: 1005-G-P-1A
1005-G-P-1B
Mates with: 1005-SMTR-xxP



Ordering Information and Dimensions

CIRCUITS	PART NO.	DIMENSION	
		A	B
21	1005-H-21P	21.30	10.00
31	1005-H-31P	26.30	15.00
41	1005-H-41P	31.30	20.00
51	1005-H-51P	36.30	25.00